

# AEG

Premier Partner



## 2023-2024 APPLIANCE RANGE MAP


Showroom Copy






# INNOVATION FOR GOOD


At AEG, we're relentless in our pursuit of responsible design. Living more sustainably today, whilst setting new standards for tomorrow.

70% 

70% **recycled plastic** is used in the inner liners of our new built-in refrigerators.

98% 

98% of electricity used in global operations is from **renewable** sources.

82% 

82% reduction in **our scope 1 and 2 CO<sub>2</sub> emissions** since 2015 – 3 years ahead of our 2025 goal of -80%.

**ZERO**  **WASTE PLANTS**

55% of **Electrolux** plants were zero waste certified by the end of 2022 according to our Zero Waste to Landfill programme.

By focusing on our major impacts, we will prevent millions of metric tons of greenhouse gases from entering the atmosphere. This is our roadmap to become climate neutral throughout the value chain by 2050.

Source: Electrolux Group Sustainability Report 2022



## CONTENTS

The Matt Black Collection	06
The Gloss Black Collection	14
Single Ovens / Matching Compact Ovens	22
Coffee Machines	28
Microwaves	30
Warming Drawers / Vacuum Sealers	32
Double Ovens	34
Hobs	36
Hoods	48
Dishwashers	54
Refrigeration	56
Laundry	62
Installation Diagrams	68

## INNOVATIONS THAT PUSH BOUNDARIES

We lead by challenging convention and creating innovations that go beyond what is expected from our appliances. We know your customers already master their skills, we are here to help them take them even higher. With innovations that push the boundaries of what is achievable. Smart solutions engineered to learn and predict user needs and adapt to how they live. We always match sustainability with beauty and unparalleled performance, so there's no need to compromise. It's time to forget outdated rules and trust our appliances.



### DISHWASHERS

It's not just about the food – the style of cutlery and plates affect our perceptions of what we eat. A dark chocolate dish looks its best when served on an angular plate, while a round plate is better for cheesecake. So your customers will have a range of tableware that complements their food presentation, and need appliances that will care for it in the most efficient way.



### HOB'S

At AEG we believe that a hob should look as good as it performs. Which is why all our induction hobs are designed not just to bring out the best in the dishes being cooked, but also to provide unrivalled flexibility whilst looking fantastic in every kitchen.



### HOODS

Cooking environments need to be fresh, bright and peaceful, enriching the time spent there. We use advanced technology to ensure that the design and build of our cooker hoods give the optimum combination of high-end design and powerful functionality.



### OVENS

However your customers like to cook and whatever their favourite dishes, there's an AEG oven for everyone. Featuring our intelligent technology, every oven in our range makes it effortless and enjoyable to create great tasting food.



### REFRIGERATION

Flavour is all about freshness and storing ingredients – the right humidity and temperature is vital. But fridge arrangements are a very personal choice. Our solution allows for complete individuality. Everything and anything fits in perfectly for long-lasting flavour.



### HOB²HOOD



### COMFORTLIFT®



### TWINTECH NO FROST



### SENSECOOK



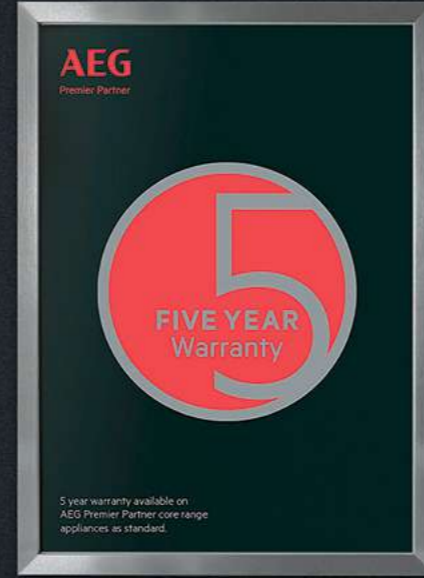
### SENSEPRO®

**AEG**

# PEACE OF MIND BUILT IN

All our appliances featured within this brochure are available through our AEG Premier Partner retailers and are covered by our extended five year parts and labour warranty. Premier Partner will register them on customers' behalf so they don't have to worry about a thing. During the warranty period customers are protected against the cost of parts, call-out and labour charges.

All work is carried out by our national network of approved AEG engineers.



**AEG**

# RARE, MEDIUM, WELL DONE AT YOUR COMMAND

Order from the SteamPro oven with Command Wheel as if ordering at a restaurant. Select rare, medium or well done to enjoy perfect results at home, without ever dealing with degrees. Why compromise on an oven that doesn't meet these standards?



CHALLENGE THE EXPECTED

DISCOVER MORE AT [AEG.CO.UK](http://AEG.CO.UK)

**AEG**

# THE MATT BLACK COLLECTION

---

The Matt Black Collection from AEG brings together years of material engineering for an exclusive and premium execution. The quality of the materials are brought to life with architectural edges and tactile surfaces, with polished displays and interaction areas bringing new aesthetics and improved functionality to an increasingly sophisticated kitchen space.

---

# INSPIRATION BEHIND THE DESIGN








“The matt glass fascia is created by an etching process, a technology from the architectural world. The matt texture has natural anti-fingerprint properties, which is tested to be much more resistant to stains and easier to clean, bringing an advanced level of performance.”

*Terence Tan*

Terence Tan, Senior Master Designer



# MATT BLACK COLLECTION - COMMAND WHEEL

	Command Wheel				Wine Cooler	Warming Drawer	Vacuum Sealer
	Multifunction Pyrolytic Self-Cleaning	Multifunctional with Steam and SousVide	Multifunction Oven with Microwave	Coffee Machine	Built-In Compact	14cm	
<b>AEG</b>	1 Premier Partner EXCLUSIVE	2 Premier Partner EXCLUSIVE	3 Premier Partner EXCLUSIVE	4 Premier Partner EXCLUSIVE	5	6	7 Premier Partner EXCLUSIVE
							
	BPK948330T	BSK999330T	KMK968000T	KKK994500T	KWK884520T	KDK911424T	KDK911423T

## Specifications

Model	Type	No. Oven Functions	Cleaning Method	Connected	Litre Capacity	Telescopic Runners (Set)	Oven Liners	Energy Rating	Connected Load (W)	Amp	Aperture (mm)
1 BPK948330T	Matt Black Multifunction Pyrolytic Self-Cleaning Oven with Command Wheel	13	Pyrolytic	Yes	71	1	Enamel	A++	3500	16	H590 x W560 x D550
2 BSK999330T	Matt Black Multifunctional with Steam and SousVide with Command Wheel	17	Steam	Yes	70	1	Enamel	A++	3500	16	H590 x W560 x D550
Model	Type	Functions	Connected	Litre Capacity	Connected Load (W)	Amp	Energy Rating	Aperture (mm)			
3 KMK968000T	Matt Black Compact Multifunction Oven with Microwave and Command Wheel	14	Yes	43	3000	13	N/A	H450 x W560 x D550			
Model	Type	Functions	Connected	Water Tank Litre Capacity	Connected Load (W)	Amp	Aperture (mm)				
4 KKK994500T	Matt Black Coffee Machine with Command Wheel	16	No	2.4	1350	13	H450 x W560 x D550				
Model	Type	Capacity	Shelves	Energy Rating	Noise Rating	Appliance Dimension (mm)					
5 KWK884520T	Matt Black Compact Wine Cooler	18 Bottles	2	F	C	H450 x W560 x D550					
Model	Type	Functions	Place Setting	Temp Range °C	Aperture (mm)						
6 KDK911424T	14cm Matt Black Warming Drawer	6	6	30-80	H141 x W560 x D550						
Model	Type	Functions	Place Setting	Temp Range °C	Aperture (mm)						
7 KDK911423T	14cm Matt Black Vacuum Sealer	4	N/A	N/A	H141 x W560 x D550						







# THE MATT BLACK TOUCH CONTROL






Bringing together years of material innovation, our Matt Black finish combined with traditional glass offers a seamless look designed for performance.

Naturally stain-resistant and safe from fingerprints, the Matt Black surface maintains its quality over time. Truly sophisticated, this new collection offers kitchens an elevated sense of elegance.



# MATT BLACK COLLECTION - TOUCH CONTROL

Touch Controls				Angled Screen		
SteamCrisp Quarter Steam & Oven	SenseCook Pyrolytic Self-Cleaning Oven	Multifunction Oven with Microwave	Compact Coffee Machine	60cm	90cm	
<b>1</b>  BSK778380T	<b>2</b>  BPK748380T	<b>3</b>  KMK768080T	<b>4</b>  KKA894500T	<b>5</b>  DVE5671HR	<b>6</b>  DVE5971HR	<b>7</b>  DVK6981HB

Canopy Hood		T-Shape	Built-In Compact	Vacuum Sealer	Warming Drawer
54cm	80cm	60cm	45cm Wine Cooler	14cm	14cm
<b>8</b>  DGE5661HB	<b>9</b>  DGE5861HB	<b>10</b>  DBE5681HR	<b>11</b>  KWK884520T	<b>12</b> Premier Partner EXCLUSIVE  KDK911423T	<b>13</b>  KDK911424T

## Specifications

Model	Type	No. Oven Functions	Cleaning Method	Connected	Litre Capacity	Telescopic Runners (Set)	Oven Liners	Energy Rating	Connected Load (W)	Amp	Aperture (mm)
<b>1</b> BSK778380T	Connected SteamCrisp Quarter Steam & Pyrolytic Oven with Touch Controls	19	Pyrolytic	Yes	71	1	Enamel	A++	3500	16	H590 x W560 x D550
<b>2</b> BPK748380T	Connected SenseCook Pyrolytic Oven with Sophisticated Touch Controls	16	Pyrolytic	Yes	71	1	Enamel	A++	3500	16	H590 x W560 x D550

Model	Type	Functions	Connected	Litre Capacity	Connected Load (W)	Amp	Energy Rating	Aperture (mm)
<b>3</b> KMK768080T	Matt Black CombiQuick Combination Microwave Compact Oven with Touch Controls	23	Yes	43	3000	13	N/A	H450 x W560 x D550

Model	Type	Functions	Connected	Water Tank Litre Capacity	Connected Load (W)	Amp	Aperture (mm)
<b>4</b> KKA894500T	Matt Black, Bean to Cup Compact Coffee Machine	16	No	2.4	1350	13	H450 x W560 x D550

Model	Type	Extraction Rate* Maximum (m³/h)	Noise Level* (dB)	Energy Rating	Hob2Hood	Filter Included	Upgraded Filter**	Installation Height Minimum (mm)
<b>5</b> DVE5671HR	60cm Matt Black Angled Screen Hood	700	42dB – 73dB	A	Yes	ECFB02	MCFB52	Electric 500 / Gas 500
<b>6</b> DVE5971HR	90cm Matt Black Angled Screen Hood	700	54dB – 74dB	A	Yes	ECFB02	MCFB52	Electric 500 / Gas 500
<b>7</b> DVK6981HB	90cm Designer Screen Matt Black with Black Gloss Frame	750	42dB – 73dB	A+	Yes	ECFB02	MCFB52	Electric 500 / Gas 500
<b>8</b> DGE5661HB	54cm Canopy	430	54dB – 68dB	A	Yes	ECFB01	ECFBLL02	Electric 500 / Gas 570
<b>9</b> DGE5861HB	80cm Canopy	430	54dB – 68dB	A	Yes	ECFB01	ECFBLL02	Electric 500 / Gas 570
<b>10</b> DBE5681HR	Matt Black 60cm T-Shape	700	44dB – 65dB	A	Yes	MCFB58	MCFB59	Electric 500 / Gas 650

Model	Type	Capacity	Temperature Range	Shelves	Energy Rating	Noise Rating	Aperture (mm)
<b>11</b> KWK884520T	45cm Matt Black Compact Wine Cooler	18 Bottles	5 – -5°C	2	N/A	C	H450 x W560 x D550

Model	Type	Functions	Place Setting	Temp Range °C	Aperture (mm)
<b>12</b> KDK911423T	14cm Matt Black Vacuum Sealer	4	N/A	N/A	H141 x W560 x D550
<b>13</b> KDK911424T	14cm Matt Black Warming Drawer	6	6	30-80	H141 x W560 x D550













**AEG**

THE GLOSS BLACK  
COLLECTION



# GLOSS BLACK COLLECTION

	Command Wheel				Warming Drawer	Vacuum Sealer	
	Multifunction Sous Vide Oven with SteamPro	SteamCrisp Quarter Steam & Pyrolytic Oven	SenseCook Pyrolytic Self-Cleaning Oven	Multifunction Oven with Microwave	Coffee Machine	14cm	
<b>AEG</b>	<b>1</b>  BSK999330B	<b>2</b>  BSK978330B	<b>3</b>  BPK948330B	<b>4</b>  KMK968000B	<b>5</b>  KKK994500B	<b>6</b>  KDE911424B	<b>7</b>  KDE911423B
	<b>Touch Controls</b>						
	SteamPro Sous Vide Oven	Multifunction Pyrolytic Self-Cleaning Oven		Multifunction Oven with Microwave			
<b>AEG</b>	<b>8</b>  BSK798280B	<b>9</b>  BPK748380B		<b>10</b>  KMK768080B			

## Specifications

	Model	Type	No. Oven Functions	Cleaning Method	Connected	Litre Capacity	Energy Rating	Aperture (mm)
<b>1</b>	BSK999330B	Connected SteamPro Multifunction Sous Vide Oven with Command Wheel	25	Steam	Yes	70	A++	H590 x W560 x D550
<b>2</b>	BSK978330B	Connected SteamCrisp Quarter Steam & Pyrolytic Self-Cleaning Oven with Command Wheel	19	Steam & Pyrolytic	Yes	71	A++	H590 x W560 x D550
<b>3</b>	BPK948330B	Connected SenseCook Pyrolytic Self-Cleaning Oven	17	Pyrolytic	Yes	71	A++	H590 x W560 x D550
	Model	Type	Functions	Connected	Litre Capacity	Energy Rating	Aperture (mm)	
<b>4</b>	KMK968000B	Connected CombiQuick Combination Microwave Compact Oven with Command Wheel	23	Yes	43	N/A	H450 x W560 x D550	
	Model	Type	Functions	Connected	Water Tank Litre Capacity	Aperture (mm)		
<b>5</b>	KKK994500B	Coffee Machine with Command Wheel	16	No	2.5	H450 x W560 x D550		
	Model	Type	Functions	Place Setting	Temp Range °C	Aperture (mm)		
<b>6</b>	KDE911424B	14cm Warming Drawer	4	6	30-80	H141 x W560 x D550		
	Model	Type	Functions	Place Setting	Temp Range °C	Aperture (mm)		
<b>7</b>	KDE911423B	14cm Vacuum Sealer	4	N/A	N/A	H141 x W560 x D550		
	Model	Type	No. Oven Functions	Cleaning Method	Connected	Litre Capacity	Energy Rating	Aperture (mm)
<b>8</b>	BSK798280B	Connected SteamPro Sous Vide Oven with Sophisticated Touch Controls and Steamify	25	Steam	Yes	71	A++	H590 x W560 x D550
<b>9</b>	BPK748380B	Connected Multifunction Pyrolytic Self-Cleaning Oven with Sophisticated Touch Controls	13	Pyrolytic	Yes	71	A++	H590 x W560 x D550
	Model	Type	Functions	Connected	Litre Capacity	Energy Rating	Aperture (mm)	
<b>10</b>	KMK768080B	Compact Multifunction Oven with Grill & Microwave and Sophisticated Touch Controls	23	Yes	43	N/A	H450 x W560 x D550	

All single ovens and compacts come with 1 set of telescopic runners as standard.  
 Connected load (single ovens = 3500W), (multifunction oven with microwave = 3000W), (coffee machine = 1350W).  
 AMP (single ovens = 16 Amp), (multifunction oven with microwave = 13 Amp).

**AEG**

# APPLIANCES FOR YOUR CUSTOMERS' LIFESTYLES



**AEG**

# OUR LIFESTYLE RANGE



**GOOD**  
FOR EVERYDAY

Multifunction Oven with SteamBake™  
Pyrolytic and Rotary Controls



CombiQuick Combination Microwave  
& Compact Oven with Rotary Controls



60cm SenseBoil™ Induction Hob



60cm Gas on Glass Hob with Step Power  
LED Rotary Controls



**BETTER**  
BUSY FAMILY LIFE

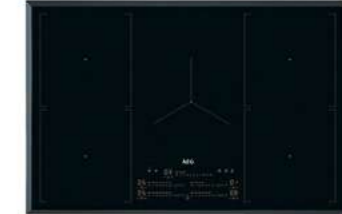
Connected SenseCook Pyrolytic Oven  
with Touch Controls



Compact Multifunction Oven  
with Grill and Touch Controls



80cm SenseBoil™ with Bridge Induction Hob



**BEST**  
TECH SAVVY

Multifunction Pyrolytic Oven with SteamCrisp  
and Command Wheel Control



Compact Multifunction Oven with Grill &  
Microwave and Command Wheel Control



80cm PURE Induction Hob  
with DirekTouch



## ALWAYS IN CONTROL

Our oven and compact range come with beautiful and intuitive user interfaces to suit every cooking need.



### Command Wheel Controls

The Command Wheel is an intuitive way to operate all the cooking settings. Its swift response gives the operator complete control of every step of the cooking process.



### Touch Controls

This intuitive touch display control panel gives access to a wide variety of oven functions to suit every dish.



### Retractable Rotary Controls









High quality finish stainless steel retractable knobs.




## THE PERFECT DESIGN ALIGNMENT

Our oven and compact range offer the perfect design alignment options, both horizontally and vertically. For matching design alignment including user interface, pair appliances with the same controls using the below chart.

Product Description	Command Wheel Control	Touch Controls	Retractable Rotary Controls
Single Multifunction  SteamBake™ Oven with  Catalytic Cleaning			BCK55636XM
Single Multifunction Oven with  Pyrolytic Self-Cleaning	BPK948330B BPK948330M BPK948330T	BPK748380T BPK748380B BPK748380M	BPK55636PM BPK556260B
Single Multifunction  SteamBake™ Oven with  Pyrolytic Self-Cleaning			BPK355061M BPK355061B
Single Multifunction  SteamCrisp Oven with  Pyrolytic Self-Cleaning	BSK978330B BSK978830M	BSK772380M BSK778380T	
Single Multifunction  SteamPro Oven	BSK999330B BSK999330M BSK999330T	BSK798280M BSK798280B	
Compact Multifunction Oven with Microwave	KMK968000B KMK968000M KMK968000T	KMK768080M KMK768080T KMK768080B	KMK565000M
Compact Microwave with Grill			KMK525800M
Compact Coffee Machine	KKK994500M		
14cm Warming Drawer	KDK911424M KDK911424T KDE911424B	KDK911424M KDK911424T KDE911424B	KDK911424M KDE911424B
Vacuum Sealers	KDK911423M KDK911423T KDE911423B	KDK911423M KDK911423T KDE911423B	KDK911423M KDE911423B

# COMMAND WHEEL SINGLE OVENS AND COMPACTS

Command Wheel								
	Multifunction Oven with SousVide & Steamify®	Multifunction Pyrolytic Self-Cleaning Oven	Multifunction Sous Vide Oven with SteamPro	SteamCrisp Quarter Steam & Pyrolytic Oven	SenseCook Pyrolytic Oven	Multifunction Oven with SousVide & Steamify®	Multifunction Pyrolytic Self-Cleaning Oven with SteamCrisp	Multifunction Pyrolytic Self-Cleaning Oven
<b>AEG</b>	1 Premier Partner EXCLUSIVE	2 Premier Partner EXCLUSIVE	3	4	5	6	7	8
								
	BSK999330T	BPK948330T	BSK999330B	BSK978330B	BPK948330B	BSK999330M	BSK978330M	BPK948330M

Command Wheel			
	Compact Multifunction Oven with Grill & Microwave	Compact Multifunction Oven with Microwave	
<b>AEG</b>	9	10 Premier Partner EXCLUSIVE	11
			
	KMK968000M	KMK968000T	KMK968000B






## Specifications





	Model	Type	No. Oven Functions	Cleaning Method	Connected	Litre Capacity	Energy Rating
1	BSK999330T	Matt Black Multifunction Oven with Steamify, SousVide and Command Wheel	17	Steam	Yes with CookView®	70	A++
2	BPK948330T	Matt Black Multifunction Pyrolytic Self-Cleaning Oven with Command Wheel	17	Pyrolytic	Yes	71	A++
3	BSK999330B	Connected SteamPro Multifunction Sous Vide Oven with Command Wheel	25	Steam	Yes with CookView®	70	A++
4	BSK978330B	Connected SteamCrisp Quarter Steam and Pyrolytic Oven with Command Wheel	19	Steam & Pyrolytic	Yes	71	A++
5	BPK948330B	Connected SenseCook Pyrolytic Oven with Command Wheel	17	Pyrolytic	Yes	71	A++
6	BSK999330M	Connected SteamPro Multifunction Sous Vide Oven with Command Wheel	25	Steam	Yes with CookView®	70	A++
7	BSK978330M	Multifunction Pyrolytic Self-Cleaning Oven with SteamCrisp and Command Wheel	19	Pyrolytic	Yes	71	A++
8	BPK948330M	Multifunction Pyrolytic Self-Cleaning Oven with Command Wheel	13	Pyrolytic	Yes	71	A++
9	KMK968000M	Compact Multifunction Oven with Grill and Microwave and Command Wheel	23	Clean enamel	Yes	43	N/A
10	KMK968000T	Matt Black Compact Multifunction Oven with Grill and Microwave and Command Wheel	23	Clean enamel	Yes	43	N/A
11	KMK968000B	Connected CombiQuick Combination Microwave Compact Oven with Command Wheel	23	Clean enamel	Yes	43	N/A

MODEL CODE FINISH DESCRIPTIONS M = Stainless Steel B = Black Glass T = Matt Black

All single ovens and compacts come with 1 set of telescopic runners as standard. Connected load (single ovens = 3500W), (multifunction oven with microwave = 3000W). Aperture sizes (single ovens H590 x W560 x D550mm), (compact ovens H450 x W560 x D550mm). AMP (single ovens = 16 Amp), (multifunction oven with microwave = 13 Amp).

# ROTARY CONTROL SINGLE OVENS AND COMPACTS










Rotary Controls				
SenseCook Multifunction Oven with SteamBake	SenseCook Pyrolytic Self-Cleaning Multifunction Oven		Multifunction SteamBake™ with Pyrolytic Self-Cleaning Oven	
<b>1</b>  BPK556260B	<b>2</b> Premier Partner EXCLUSIVE  BPK55636PM	<b>3</b> Premier Partner EXCLUSIVE  BCK55636XM	<b>4</b>  BPK355061M	<b>5</b>  BPK355061B




Rotary Controls			
Compact Multifunction Oven with Microwave			Compact Microwave Oven and Grill
<b>6</b>  KMK565060B	<b>7</b>  KMK565060M	<b>8</b>  KMK365060M	<b>9</b>  KMK525860M

## Specifications

Model	Type	No. Oven Functions	Cleaning Method	Connected	Litre Capacity	Telescopic Runners (Set)	Oven Liners	Energy Rating	Connected Load (W)
<b>1</b> BPK556260B	SenseCook Pyrolytic Multifunction Oven with EXPLore retractable Rotary Controls and SteamBake	9	Pyrolytic	No	71	0	Enamel	A+	3500
<b>2</b> BPK55636PM	SenseCook Pyrolytic Self-Cleaning Multifunction Oven with EXPLore retractable Rotary Controls	17	Pyrolytic	No	71	1	Enamel	A+	3300
<b>3</b> BCK55636XM	SteamBake™ Multifunction Oven with EXPLore retractable Rotary Controls and Touch Controls	9	Catalytic	No	71	1	Catalytic	A+	3300
<b>4</b> BPK355061M	SteamBake™ Pyrolytic Multifunction Oven with retractable Rotary Controls	9	Pyrolytic	No	72	0	Enamel	A+	3490
<b>5</b> BPK355061B	SteamBake™ Pyrolytic Multifunction Oven with retractable Rotary Controls	9	Pyrolytic	No	72	0	Enamel	A+	3490
<b>6</b> KMK565060B	CombiQuick Combination Microwave and Compact Oven (Use as an oven, microwave or combined) with EXPLore retractable Rotary Controls	14	Clean enamel	No	43	0	Enamel	N/A	3000
<b>7</b> KMK565060M	CombiQuick Combination Microwave and Compact Oven (Use as an oven, microwave or combined) with EXPLore retractable Rotary Controls	14	Clean enamel	No	43	0	Enamel	N/A	3000
<b>8</b> KMK365060M	CombiQuick Combination Microwave and Compact Oven (Use as an oven, microwave or combined) with retractable Rotary Controls	14	Clean enamel	No	43	0	Enamel	N/A	3000
<b>9</b> KMK525860M	Microwave and Grill Compact with glass turntable and EXPLore retractable Rotary Controls	9	Clean enamel	No	43	0	Enamel	N/A	2100

# TOUCH CONTROL SINGLE OVENS AND COMPACTS

Touch Controls									
	SteamCrisp Quarter Steam Oven	SenseCook Pyrolytic Self-Cleaning Oven	SteamPro Sous Vide Oven	Multifunction Pyrolytic Self-Cleaning Oven	SteamPro Sous Vide Oven with Steamify	Multifunction Pyrolytic Self-Cleaning Oven with SteamCrisp	Multifunction Pyrolytic Self-Cleaning Oven	Left-Side opening SenseCook Pyrolytic Oven	Right-Side opening SenseCook Pyrolytic Oven
	1	2	3	4	5	6	7	8	9
AEG									
	BSK778380T	BPK748380T	BSK798280B	BPK748380B	BSK798280M	BSK772380M	BPK748380M	BPK742L81M	BPK742R81M

Touch Controls		
	Compact Multifunction Oven with Grill and Microwave	Compact Multifunction Oven with Microwave
	10	11
AEG		
	KMK768080M	KMK768080B
		12
		
		KMK768080T






## Specifications

	Model	Type	No. Oven Functions	Cleaning Method	Connected	Litre Capacity	Energy Rating
1	BSK778380T	Connected SteamCrisp Quarter Steam and Pyrolytic Oven with Touch Controls	19	Pyrolytic	Yes	71	A++
2	BPK748380T	Connected SenseCook Pyrolytic Oven with Sophisticated Touch Controls	16	Pyrolytic	Yes	71	A++
3	BSK798280B	Connected SteamPro Sous Vide Oven with Sophisticated Touch Controls and Steamify	25	Steam	Yes	71	A++
4	BPK748380B	Blackline Multifunction Pyrolytic Self-Cleaning Oven with Sophisticated Touch Controls	13	Pyrolytic	No	71	A++
5	BSK798280M	Connected SteamPro Sous Vide Oven with Touch Controls and Steamify	25	Steam	Yes	70	A++
6	BSK772380M	SteamCrisp Quarter Steam and Pyrolytic Oven with Touch Controls	19	Steam & Pyrolytic	No	71	A+
7	BPK748380M	Connected Multifunction Pyrolytic Self-Cleaning Oven with Sophisticated Touch Controls	13	Pyrolytic	Yes	71	A++
8	BPK742L81M	Left-side opening SenseCook Pyrolytic oven with Touch Controls	16	Pyrolytic	No	72	A+
9	BPK742R81M	Right-side opening SenseCook Pyrolytic oven with Touch Controls	16	Pyrolytic	No	72	A+
10	KMK768080M	Compact Multifunction Oven with Grill and Microwave and Sophisticated Touch Controls	23	Clean enamel	Yes	43	N/A
11	KMK768080B	Blackline Compact Multifunction Oven with Grill & Microwave and Sophisticated Touch Controls	23	Clean enamel	Yes	43	N/A
12	KMK768080T	Matt Black CombiQuick Combination Microwave Compact Oven with Touch Controls	23	Clean enamel	Yes	43	N/A

MODEL CODE FINISH DESCRIPTIONS M = Stainless Steel B = Black Glass T = Matt Black

All single ovens and compacts come with 1 set of telescopic runners as standard. Connected load (single ovens = 3500W), (multifunction oven with microwave = 3000W). Aperture sizes (single ovens H590 x W560 x D550mm), (compact ovens H450 x W560 x D550mm). AMP (single ovens = 16 Amp), (multifunction oven with microwave = 13 Amp).

# COFFEE MACHINES




	Touch Controls		Command Wheel		
	Fully Automatic				
<b>AEG</b>	1	2	3 <b>Premier Partner EXCLUSIVE</b>	4	5
					
	KKA894500M	KKA894500T	KKK994500T	KKK994500M	KKK994500B

## Specifications

	Model	Type	Functions	Water Tank Litre Capacity
1	KKA894500M	Stainless Steel, Bean to Cup Compact Coffee Machine	16	2.4
2	KKA894500T	Matt Black, Bean to Cup Compact Coffee Machine	16	2.4
3	KKK994500T	Matt Black Coffee Machine with Command Wheel	16	2.4
4	KKK994500M	Stainless Steel, Coffee Machine with Command Wheel	16	2.4
5	KKK994500B	Black Gloss Coffee Machine with Command Wheel	16	2.5



# MICROWAVE OVENS







Touch Controls		
Built-In		
1	 <b>MBB1755SEM</b>	2
2	 <b>MBB1756SEM</b>	3
3	 <b>MBE2658SEM</b>	




**AEG**

## Specifications

Model	Type	Capacity (L)	Power Levels	Cooking Programmes	Output	Aperture (mm)
1 MBB1755SEM	50cm Wide Built-in Microwave with Touch Controls	17	5	3	800W	H360 X W462 X D300
2 MBB1756SEM	60cm Wide Built-in Microwave with Touch Controls	17	5	3	800W	H360 x W562 x D300
3 MBE2658SEM	45cm High Built-in Microwave with Touch Controls	26	5	3	900W	H450 x W562 x D500

# WARMING DRAWERS / VACUUM SEALERS




14cm Warming Drawers				29cm Warming Drawers		
AEG	1	2	3	4	5	6
						
	KDE911424M	KDK911424M	KDE911424B	KDK911424T	KDK912924M	KDE912924M

14cm Vacuum Sealers			
AEG	7	8	9
			
	KDK911423M	KDE911423B	KDK911423T

## Specifications

Model	Type	Functions	Place Setting	Temp Range °C	Aperture (mm)
1 KDE911424M	14cm Stainless Steel Warming Drawer	6	6	30-80	H141 x W560 x D550
2 KDK911424M	14cm Black Glass & Stainless Steel Warming Drawer	6	6	30-60	H141 x W560 x D550
3 KDE911424B	14cm Blackline Warming Drawer	4	6	30-80	H141 x W560 x D550
4 KDK911424T	14cm Matt Black Warming Drawer	6	6	30-80	H141 x W560 x D550
5 KDK912924M	29cm Black Glass & Stainless Steel Warming Drawer	6	12	30-60	H295 x W560 x D550
6 KDE912924M	29cm Stainless Steel Warming Drawer	6	12	30-60	H295 x W560 x D550
7 KDK911423M	14cm Black Glass & Stainless Steel Vacuum Sealer	4	N/A	N/A	H141 x W560 x D550
8 KDE911423B	14cm Blackline Vacuum Sealer	4	N/A	N/A	H141 x W560 x D550
9 KDK911423T	14cm Matt Black Vacuum Sealer	4	N/A	N/A	H141 x W560 x D550

# DOUBLE OVENS

		Touch Controls		Rotary Controls		
		Built-In Multifunction	Built-Under Multifunction	Built-In Multifunction		
AEG	1		2		3	
		DCK731110M		DUK731110M		DCK531160M

## Specifications

Model	Type	Oven Functions	Litre Capacity	Connected Load (W)	Energy Rating	Aperture (mm)
1 DCK731110M	Built-In Multifunction Double Oven with SurroundCook® and Touch Controls	Main - 8 Top - 7	Main - 62 Top - 43	5800	A/A	H720 x W600 x D550
2 DUK731110M	Built-Under Multifunction Double Oven with SurroundCook® and Touch Controls	Main - 8 Top - 7	Main - 45 Top - 39	5900	A/A	H875 x W560 x D550
3 DCK531160M	Built-In Multifunction Double Oven with Retractable Rotary Controls	Main - 9 Top - 5	Main - 61 Top - 42	4900	A/A	H875 x W560 x D550

## HOBBS

At AEG we believe that a hob should look as good as it performs. Which is why all our induction hobs are designed not just to bring out the best in the dishes being cooked, but also to provide unrivalled flexibility whilst looking fantastic in every kitchen.



SENSEPRO®

MAXISENSE®













SENSEBOIL®



SLIM INSTALLATION









# CERAMIC & INDUCTION HOBS

	Ceramic 60cm	60cm					80cm					
	Touch Control	Plug & Play	Induction	SenseBoil®	Bridge	Pure	Induction	SenseBoil®				
<b>AEG</b>	1	2	3	4	5	6	7	8	9	10		
												
	HK634060XB	ILB64334CB	IKB64401FB	IAE64411FB	IAE64421FB	IKE64450FB	IPE64551FB	IKB84401FB	IAE84411FB	IAE84421FB		
	80cm						90cm					
		Pure	5 Zone Bridge	Active Touch	SenseFry®	TotalFlex	SensePro®	5 Zone Bridge	Mixed Fuel			
	<b>AEG</b>	11	12	13	14	15	16	17	18			
												
		IPE84531FB	IKE85751FB	IKE85651FB	IAE84851FB	IKK86681FB	IAE84881FB	IKE95751FB	HDB95623NB			

## Specifications

	Model	Type	Number of Zones	Hob2Hood	Stop&Go /Pause	Bridging Function	Control Type	KW Rating	Aperture (mm)
1	HK634060XB	60cm Ceramic	4	No	Yes	No	Touch Control	7000	W560 x D490
2	ILB64334CB	60cm Plug & Play	4	Yes	Yes	No	Touch Control	3000	H44 x W560 x D490
3	IKB64401FB	60cm Induction	4	Yes	Yes	No	DirekTouch Slider	7400	H55 x W560 x D490
4	IAE64411FB	60cm SenseBoil®	4	Yes	Yes	No	DirekTouch Slider	7350	W560 x D490
5	IAE64421FB	60cm SenseBoil®	4	Yes	Yes	Single	DirekTouch Slider	7350	H55 x W560 x D490
6	IKE64450FB	60cm Bridge	4	No	Yes	Double	DirekTouch Slider	7400	H55 x W560 x D490
7	IPE64551FB	60cm Pure	4	Yes	Yes	Double	Rotary DirekTouch	7400	W560 x D490
8	IKB84401FB	80cm Induction	4	Yes	Yes	No	DirekTouch Slider	7350	H44 x W750 x D490
9	IAE84411FB	80cm SenseBoil®	4	Yes	Yes	No	DirekTouch Slider	7350	W750 x D490
10	IAE84421FB	80cm SenseBoil®	4	Yes	Yes	Single	DirekTouch Slider	7350	H44 x W750 x D490
11	IPE84531FB	80cm Pure	4	Yes	Yes	No	Rotary DirekTouch	7400	W750 x D490
12	IKE85751FB	80cm 5 Zone Bridge	5	Yes	Yes	Double	DirekTouch Slider	7350	H44 x W750 x D490
13	IKE85651FB	80cm Active Touch	5	Yes	Yes	Double	ActiveTouch	7350	W780 x D490
14	IAE84851FB	80cm SenseFry®	4	Yes	Yes	Single	TFT Touch	7350	W780 x D490
15	IKK86681FB	80cm TotalFlex	6	Yes	Yes	Vertical & horizontal	Active Touch	7350	H44 x W750 x D490
16	IAE84881FB	80cm SensePro®	4	Yes	Yes	Single	TFT Touch	7350	W780 x D490
17	IKE95751FB	90cm 5 Zone Bridge	5	Yes	Yes	Double	DirekTouch Slider	7350	H44 x W880 x D490
18	HDB95623NB	90cm Mixed Fuel	2 gas / 3 induction	Yes	Yes	Single	DirekTouch Slider	7200	W830 x D490

# GAS HOBS

		60cm		75cm			
		Gas	Flamelight Gas on Glass	Gas	Flamelight Gas on Glass	TouchSure Gas on Glass	
<b>AEG</b>	1						
		HGB64420YM	HKB64450NB	HGB75420YM	HKB75450NB	HVB75450IB	
	<b>90cm</b>						
			Gas	Flamelight Gas on Glass	TouchSure Gas on Glass		
	6						
	HGB95522YM	HKB95450NB	HVB95450IB				

## Specifications

	Model	Type	Number of Burners	Wok Burner	Hob2Hood	Installation	Control Type	Supports	Aperture (mm)
1	HGB64420YM	60cm Gas	4	Yes	No	Standard	Rotary with StepPower	Cast Iron	D480 x W560
2	HKB64450NB	60cm Flamelight Gas on Glass	4	Yes	Yes	Standard	Rotary with LED StepPower	Cast Iron	D480 x W560
3	HGB75420YM	75cm Gas	5	Yes	No	Standard	Rotary with StepPower	Cast Iron	D480 x W560
4	HKB75450NB	75cm Flamelight Gas on Glass	5	Yes	Yes	Standard	Rotary with LED StepPower	Cast Iron	D480 x W560
5	HVB75450IB	75cm TouchSure Gas on Glass	5	Yes	Yes	Standard	DirekTouch	Cast Iron	D490 x W720
6	HGB95522YM	90cm Gas	5	Yes	No	Standard	Rotary with StepPower	Cast Iron	D480 x W830
7	HKB95450NB	90cm Flamelight Gas on Glass	5	Yes	Yes	Standard	Rotary with LED StepPower	Cast Iron	D480 x W830
8	HVB95450IB	90cm TouchSure Gas on Glass	5	Yes	Yes	Standard	DirekTouch	Cast Iron	D490 x W850

**AEG**

# EXTRACTOR HOBS GIVING YOU ULTIMATE KITCHEN DESIGN FREEDOM

With a range of intelligent sensors built into AEG induction hobs, saving energy in the kitchen is seamless. Good to know that the food – and the electricity – isn't being overcooked.



# EXTRACTOR HOBS. FAST, PERFECT INSTALLATION.

At AEG we aim to offer a Best-in-Class installation experience.

We are improving and renewing our domestic appliance installation process to ensure that installing our products is always as simple as possible.

3D models for both the extractor hobs and installation parts are available in 3D to use within kitchen design systems.

## FEWER INSTALLATION STEPS:

- Unpack and let's go
- Just 30 installation steps compared with 85 for previous AEG ComboHob
- Professional and faster than usual in the market

65% less  
installation steps  
than previous  
model

## SIMPLE

- Text-free installation instructions
- Only one person
- Less tools required
- Adapts rapidly to fitting situation

## FLEXIBLE

- Suits all kitchen designs
- All AEG products are simple to install
- Fits in standard niches

## INSTALLATION OPTIONS:



### RECIRCULATION VERSION

Recirculating air filters and cleans vapours using the two-in-one filter. The active charcoal filter in the two-in-one filter absorbs odours. Once cleaned, air returned to room.

New recirculating air models starting with **CCE84...**



### DUCT OUT VERSION

Exhaust air filters vapours using grease filter. Filtered air is vented outside into open air.

New duct out models starting with **CDE84...**



DESIGNED  
FOR DESIGN



PERFECT FIT



EASY  
INSTALLATION



BEST  
SUPPORT

## EXTRACTOR HOBS

AEG	Recirculating				Ducted		
	72cm Single Bridge	80cm Single Bridge	83cm Double Bridge	83cm Double Flexi Bridge	80cm Single Bridge	83cm Double Bridge	83cm Double Flexi Bridge
	1	2	3	4	5	6	7
	IDE74243IB	CCE84543FB	CCE84751FB	CCE84779FB	CDE84543FB	CDE84751FB	CDE84779FB

## Specifications

	Model	Type	Number of Zones	Bridging Function	Control Type	Filter Included	Noise Level* (dB)	Installation Type	KW Rating	Aperture (mm)
1	IDE74243IB	72cm Recirculating Extractor ComboHob	4	Single	Touch on Glass	Grease & Charcoal	46dB – 62dB	Half Piping Only	7500	D490 x W560
2	CCE84543FB	80cm Recirculating Extractor Hob	4	Single	DirekTouch	2 in 1 Grease & Charcoal	52dB – 67dB	Ductless or Half Piping	7350	D490 x W750
3	CCE84751FB	83cm Recirculating Extractor Hob	4	Double	DirekTouch	2 in 1 Grease & Charcoal	52dB – 67dB	Ductless or Half Piping	7350	D490 x W780
4	CCE84779FB	83cm Recirculating Extractor Hob	4	FlexiBridge	DirekTouch	2 in 1 Grease & Charcoal	52dB – 67dB	Ductless or Half Piping	7350	D490 x W780
5	CDE84543FB	80cm Ducted Extractor Hob	4	Single	DirekTouch	Grease	48dB – 64dB	Ducted Straight Down or Left/Right Orientation	7350	D490 x W750
6	CDE84751FB	83cm Ducted Extractor Hob	4	Double	DirekTouch	Grease	48dB – 64dB	Ducted Straight Down or Left/Right Orientation	7350	D490 x W780
7	CDE84779FB	83cm Ducted Extractor Hob	4	FlexiBridge	DirekTouch	Grease	48dB – 64dB	Ducted Straight Down or Left/Right Orientation	7350	D490 x W780

\*Additional installation parts may be required depending on the install types. Please refer to the Extractor Hobs Installation guide. All extractor hobs come with Hob2Hood as standard. AMP = 32 Amp.



# INSTALLATION OPTIONS.



## RECIRCULATION VERSION

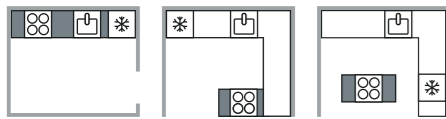
### Rear Ductless



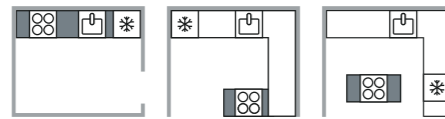
### Half-Pipe base Vent with Universal Recirculation kit



### Fitting situations for U1



### Fitting situations for U2



For Half-Piping bottom Vent installation, order The Universal Ducting Kit M2CKCF01

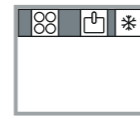


## DUCT OUT VERSION

### Duct-Out Rear



### Fitting situations for A1

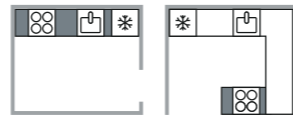


For Duct Out Rear order UK fitting kit CDECLOSEDUC

### Left/right side vent



### Fitting situations for A2



For Left/Right side order UK fitting kit CDEFULLDUC

Additional parts will be required if installing as Half-Pipe.

Additional parts will be required if installing as Duct Out Rear or Left/Right side vent.

# INSTALLATION KITS

Installation Kits		
	Ductless or Half Piping	Ducted Straight Down or Left/Right Orientation
AEG	<p>1</p> <p>M2CKCF01</p>	<p>2</p> <p>CDECLOSEDUCT</p>
		<p>3</p> <p>CDEFULLDUCT</p>

## Specifications

	Model	Type	Install Type	Kit Contains
1	M2CKCF01	Half Pipe Installation Kit to complete a Half Pipe Recirculation Installation	Half Piping	Includes Piping kit ComboFlex: Rectangular Curve 90° X2, Rectangular curve 15° X2, Rectangular pipe 90x220 mm (1,2mt) X1, Female connection X1, Adaptor Naber X1
2	CDECLOSEDU	UK Install Kit to complete a Duct Out Close Installation.	Ducted out straight down at back of unit	Kit includes part codes M2CKCF03, M2CKCF05, M2CKCF09, M2CKCF10
3	CDEFULLDUC	UK Install Kit to complete a Duct Out Full Left/Right orientated Installation.	Ducted out left/right orientation	Kit includes part codes M2CKCF02, M2CKCF04, M2CKCF05, M2CKCF09, M2CKCF10

Additional Ducting Components Sold Separately - Please see price list for details

# WALL-MOUNTED CHIMNEY HOODS





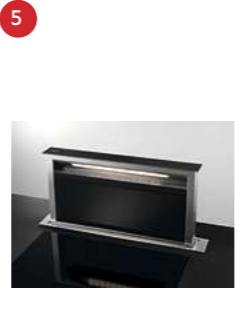




## Specifications

	Model	Type	Extraction Rate* Maximum (m³/h)	Noise Level* (dB)	Energy Rating	Hob2Hood	Charcoal Filter Included	Upgraded Filter**	Installation Height Minimum (mm)
1	DKB4650M	60cm Pyramid	603	46dB - 75dB	B	No	MCFE01	MCFE11	Electric 500 / Gas 650
2	DBE5661HG	60cm T-Shape	700	44dB - 65dB	A	Yes	MCFB58	MCFB59	Electric 500 / Gas 650
3	DBE5681HR	Matt Black 60cm T-Shape	700	44dB - 65dB	A	Yes	MCFB58	MCFB59	Electric 500 / Gas 650
4	DBK6680HG	60cm T-Shape	750	46dB - 65dB	A+	Yes	MCFB58	MCFB59	Electric 500 / Gas 650
5	DKB4950M	90cm Pyramid	603	46dB - 75dB	B	No	MCFE01	MCFE11	Electric 500 / Gas 650
6	DBE5961HG	90cm T-Shape	700	44dB - 65dB	A	Yes	MCFB58	MCFB59	Electric 500 / Gas 650
7	DBK6980HG	90cm T-Shape	750	46dB - 65dB	A+	Yes	MCFB58	MCFB59	Electric 500 / Gas 650

\*Dependent on installation. \*\*Available as an accessory.

# ISLAND HOODS



65cm		90cm			100cm	120cm	
Pendant		Island Box	Ceiling	Downdraft	Box	Ceiling	
<b>AEG</b>	<b>1</b>  DLE0630W	<b>2</b>  DLE0630B	<b>3</b>  DIE5961HG	<b>4</b>  DCE5960HM	<b>5</b>  DDE5980G	<b>6</b>  DIK6180HG	<b>7</b>  DCK5281HG

## Specifications

	Model	Type	Extraction Rate* Maximum (m³/h)	Noise Level* (dB)	Energy Rating	Hob2Hood	Charcoal Filter Included	Upgraded Filter**	Installation Height Minimum (mm)
<b>1</b>	DLE0630W	65cm White Pendant	350	44dB - 70dB	N/A	No	MCFB29	No	Electric 500 / Gas 650
<b>2</b>	DLE0630B	65cm Black Pendant	350	44dB - 70dB	N/A	No	MCFB29	No	Electric 500 / Gas 650
<b>3</b>	DIE5961HG	90cm Island Box	700	44dB - 65dB	A	Yes	MCFB58	MCFB59	Electric 500 / Gas 650
<b>4</b>	DCE5960HM	90cm Ceiling	710	54dB - 67dB	A	Yes	MCFB60	MCFB62	Electric 750 / Gas 750
<b>5</b>	DDE5980G	90cm Downdraft	680	40dB - 70dB	A	No	MCFE38	No	N/A
<b>6</b>	DIK6180HG	100cm Box	750	46dB - 69dB	A+	Yes	MCFB58	MCFB59	Electric 500 / Gas 600
<b>7</b>	DCK5281HG	120cm Ceiling	720	57dB - 76dB	A+	Yes	MCFB60	MCFB62	Electric 750 / Gas 750

# INTEGRATED / ANGLED SCREEN HOODS






60cm		90cm			
Angled Screen		Designer Screen	Angled Screen		
AEG	<b>1</b>  DVE5671HR	<b>2</b>  DVE5671HG	<b>3</b>  DVK6981HB	<b>4</b>  DVE5971HR	<b>5</b>  DVE5971HG





54cm		70cm	80cm		60cm Pull Out	
Canopy		Canopy	Canopy		Integrated	
AEG	<b>6</b>  DGE5661HM	<b>7</b>  DGE5661HB	<b>8</b>  DGB3850M	<b>9</b>  DGE5861HM	<b>10</b>  DGE5861HB	<b>11</b>  DEB2631S

## Specifications

	Model	Type	Extraction Rate* Maximum (m³/h)	Noise Level* (dB)	Energy Rating	Hob2Hood	Filter Included	Upgraded Filter**	Installation Height Minimum (mm)
<b>1</b>	DVE5671HR	60cm Matt Black Angled Screen Hood	700	42dB – 73dB	A	Yes	ECFB02	MCFB52	Electric 500 / Gas 500
<b>2</b>	DVE5671HG	60cm Angled Screen	700	42dB – 73dB	A	Yes	ECFB02	MCFB52	Electric 500 / Gas 500
<b>3</b>	DVK6981HB	90cm Designer Screen Matt Black with Black Gloss Frame	750	42dB – 73dB	A+	Yes	ECFB02	MCFB52	Electric 500 / Gas 500
<b>4</b>	DVE5971HR	90cm Matt Black Angled Screen Hood	700	42dB – 73dB	A	Yes	ECFB02	MCFB52	Electric 500 / Gas 500
<b>5</b>	DVE5971HG	90cm Angled Screen	700	42dB – 73dB	A	Yes	ECFB02	MCFB52	Electric 500 / Gas 500
<b>6</b>	DGE5661HM	54cm Canopy	700	54dB – 74dB	A	Yes	ECFB01	ECFBLL02	Electric 500 / Gas 570
<b>7</b>	DGE5661HB	54cm Matt Black Canopy	700	54dB – 74dB	A	Yes	ECFB01	ECFBLL02	Electric 500 / Gas 570
<b>8</b>	DGB3850M	70cm Canopy	600	49dB – 70dB	C	No	ECFB02	ECFBLL01	Electric 500 / Gas 650
<b>9</b>	DGE5861HM	80cm Canopy	700	54dB – 74dB	A	Yes	ECFB01	ECFBLL01	Electric 500 / Gas 570
<b>10</b>	DGE5861HB	80cm Matt Black Canopy	700	54dB – 74dB	A	Yes	ECFB01	ECFBLL02	Electric 500 / Gas 570
<b>11</b>	DEB2631S	60cm Integrated	370	52dB – 67dB	D	No	MCFE21	N/A	Electric 500 / Gas 700

\*Dependent on installation. \*\*Available as an accessory.




Fully Integrated Slimline 45cm		Fully Integrated 60cm with Cutlery Basket			
	6000 SatelliteClean	6000 SatelliteClean	3000 AirDry	6000 SatelliteClean	8000 SprayZone
<b>AEG</b>	<b>1</b>	<b>2</b>	<b>3</b>	<b>4</b>	<b>5</b>
					
	FSE62407P	FSE72507P	FSB42607Z	FSK52617Z	FSS63607P NEW C Energy Rated model FSE84607P Available in Autumn 2023





Fully Integrated 60cm with Cutlery Drawer				
	6000 SatelliteClean	7000 Glasscare	9000 ComfortLift	ComfortLift
<b>AEG</b>	<b>6</b>	<b>7</b>	<b>8</b>	<b>9</b>
				
	FSK52917Z	FSK76738P	FSK83828P	FSK93848P NEW C Energy Rated model FSK94858P Available in Autumn 2023

Specifications

	Model	Type	Place Settings	Programmes	Energy Rating	Water Consumption (L)	Noise Level (dB)	Noise Rating	Basket Type	Connected	ProClean XXL	Beam Type	Aperture (mm)
<b>1</b>	FSE62407P	45cm Fully Integrated Slimline	9	7	E	9.9	46	C	Cutlery Basket	No	No	Light Beam	H818 x W450 x D550
<b>2</b>	FSE72507P	45cm Fully Integrated Slimline	10	7	E	9.9	44	B	Cutlery Drawer	No	No	Light Beam	H818 x W450 x D550
<b>3</b>	FSB42607Z	60cm Fully Integrated	13	5	E	9.9	46	C	Cutlery Basket	No	No	Light Beam	H818 x W596 x D550
<b>4</b>	FSK52617Z	60cm Fully Integrated	13	7	E	9.9	44	B	Cutlery Basket	No	No	Light Beam	H818 x W596 x D550
<b>5</b>	FSS63607P	60cm Fully integrated ProClean NEW C Energy Rated model FSE84607P available in Autumn 2023	13	7	D	10.5	44	B	Cutlery Basket	No	Yes	Light Beam	H818 x W596 x D550
<b>6</b>	FSK52917Z	60cm Fully Integrated	14	7	E	10.5	44	B	Cutlery Drawer	No	No	Light Beam	H818 x W596 x D550
<b>7</b>	FSK76738P	60cm Fully integrated Connected ProClean	14	7	A	11	43	B	Cutlery Drawer	Yes	Yes	Time Beam	H818 x W596 x D550
<b>8</b>	FSK83828P	60cm Fully integrated Connected Comfortlift	14	7	D	11	44	B	Cutlery Drawer	Yes	Yes	Light Beam	H818 x W596 x D550
<b>9</b>	FSK93848P	60cm Fully integrated Connected Comfortlift NEW C Energy Rated model FSK94858P available in Autumn 2023	14	7	D	11	39	A	Cutlery Drawer	Yes	Yes	Time Beam	H818 x W596 x D550

# REFRIGERATION







Integrated Fridges					
82cm Under Counter		122cm Midi		178cm Larder	
<b>AEG</b>	<b>1</b>	<b>2</b>	<b>3</b>	<b>4</b>	<b>5</b>
					
	SFB682F1AF	SKB582F1AF	SKB812F1AC	SKK818E9ZC	SKE818E1DC







Integrated Freezers				
82cm Under Counter		122cm Midi		
<b>AEG</b>	<b>6</b>	<b>7</b>	<b>8</b>	<b>9</b>
				
	ABE682F1NF	ABB682F1AF	ABB812E6NC	ABK818E6NC

## Specifications

Model	Type	Capacity (L)	Shelves/Drawers	Energy Rating	Noise Rating	Technology	Installation	Appliance Dimension (mm)
<b>1</b> SFB682F1AF	82cm Under Counter Fridge with 4 Star Freezer Compartment	109	2 full shelves / 1 full salad drawer	F	C	Auto Defrost	Door on Door Fixing	H820 x W600 x D550
<b>2</b> SKB582F1AF	82cm Under Counter Fridge	134	3 full shelves / 1 full salad drawer	F	C	Auto Defrost	Door on Door Fixing	H820 x W600 x D550
<b>3</b> SKB812F1AC	122cm Midi Integrated Fridge	203	3 full shelves / flexi shelf	F	C	Coolmatic	Door on Door Fixing	H1225 x W560 x D550
<b>4</b> SKK818E9ZC	178cm Larder Integrated Fridge	276	3 full shelves / 3 Long Fresh drawers / flexi shelf	E	C	Auto Defrost LongFresh Drawer	Door on Door Fixing	H1780 x W560 x D550
<b>5</b> SKE818E1DC	178cm Larder Integrated Fridge	311	4 full shelves / flexi shelf	E	B	DynamicAir	Soft Close Door on Door Fixing	H1780 x W560 x D550
<b>6</b> ABE682F1NF	82cm Under Counter Freezer	85	3 full drawers	F	D	NoFrost	Soft Close Door on Door Fixing	H820 x W600 x D550
<b>7</b> ABB682F1AF	82cm Under Counter Freezer	95	3 full drawers	F	C	N/A	Soft Close Door on Door Fixing	H820 x W600 x D550
<b>8</b> ABB812E6NC	122cm Midi Integrated Freezer	120	4 full drawers	E	C	NoFrost	Soft Close Door on Door Fixing	H1225 x W556 x D550
<b>9</b> ABK818E6NC	178cm Larder Integrated Freezer	204	4 full drawers	E	C	NoFrost	Soft Close Door on Door Fixing	H1780 x W560 x D550

# REFRIGERATION

50:50 Integrated Fridge Freezer			70:30 Integrated Fridge Freezer		
178cm Low Frost	178cm TwinTech® NoFrost		177cm Low Frost	177cm TwinTech® NoFrost	178cm NoFrost
<b>1</b>	<b>2</b>	<b>3</b>	<b>4</b>	<b>5</b>	<b>6</b>
					
SCB718F3LS	SCE818F6NS	SCE818E6NS	OSC5S181ES	OSC6N181ES	NSC7G181DS








		70:30 Integrated Fridge Freezer	60:40 Freestanding Fridge Freezers			
178cm CustomFlex® TwinTech® NoFrost	ExtraTall TwinTech® NoFrost	188cm CustomFlex® NoFrost	188cm TwinTech® NoFrost	178cm Multiswitch	185cm TwinTech® NoFrost	
<b>7</b>	<b>8</b>	<b>9</b>	<b>10</b>	<b>11</b>	<b>12</b>	
						
SCE818C5TC	SCE819E5TS	NSC8M191DS	Maxi Space NSC7G751ES	RMB954F9VX	RCB732E7MG	

## Specifications

	Model	Type	Capacity (L)	Shelves/Drawers	Energy Rating	Noise Rating	Technology	Appliance Dimension (mm)
<b>1</b>	SCB718F3LS	50:50 Integrated Fridge Freezer	Fridge - 163 Freezer - 106	Fridge - 3 full shelves + 2 drawers Freezer - 4 full drawers	F	C	Low Frost	H1772 x W548 x D549
<b>2</b>	SCE818F6NS	50:50 Integrated Fridge Freezer	Fridge - 152 Freezer - 87	Fridge - 2 full shelves + 1 flexi shelf Freezer - 4 full drawers	F	C	TwinTech® NoFrost	H1772 x W548 x D549
<b>3</b>	SCE818E6NS	50:50 Integrated Fridge Freezer	Fridge - 152 Freezer - 87	Fridge - 2 full shelves + 1 flexi shelf Freezer - 4 full drawers	E	C	TwinTech® NoFrost Dynamic Air	H1772 x W548 x D549
<b>4</b>	OSC5S181ES	70:30 Integrated Fridge Freezer	Fridge - 198 Freezer - 73	Fridge - 3 full width glass shelves + 2 drawers Freezer - 3 full drawers	E	B	Low Frost	H1772 x W546 x D549
<b>5</b>	OSC6N181ES	70:30 Integrated Fridge Freezer	Fridge - 194 Freezer - 76	Fridge - 3 full shelves + 1 flexi shelf Freezer - 3 full drawers	E	B	TwinTech® NoFrost	H1772 x W546 x D549
<b>6</b>	NSC7G181DS	70:30 Integrated Fridge Freezer	Fridge - 194 Freezer - 62	Fridge - 3 full shelves + 1 flexi shelf Freezer - 3 full drawers	D	B	TwinTech® NoFrost GreenZone Drawer	H1772 x W546 x D549
<b>7</b>	SCE818C5TC	70:30 CustomFlex® Integrated Fridge Freezer	Fridge - 184 Freezer - 61	Fridge - 3 full shelves + 1 flexi shelf Freezer - 3 full drawers	C	B	TwinTech® NoFrost	H1769 x W556 x D549
<b>8</b>	SCE819E5TS	70:30 Extra Tall Integrated Frost-Free Fridge Freezer	Fridge - 194 Freezer - 74	Fridge - 3 full shelves + 1 flexi shelf Freezer - 3 full drawers	E	B	TwinTech® NoFrost	H1842 x W540 x D552
<b>9</b>	NSC8M191DS	70:30 Extra Tall CustomFlex® Integrated Fridge Freezer	Fridge - 207 Freezer - 62	Fridge - 3 full shelves + 1 flexi shelf Freezer - 3 full drawers	D	B	GreenZone+ Extra Chill NoFrost Multi Switch Drawer	H1884 x W546 x D549
<b>10</b>	Maxi Space NSC7G751ES	70:30 Integrated Fridge Freezer	Fridge - 287 Freezer - 89	Fridge - 4 full shelves + 1 flexi shelf Freezer - 3 full drawers	E	B	TwinTech® NoFrost GreenZone Drawer	H1884 x W696 x D549
<b>11</b>	RMB954F9VX	60/40 Matt Black Freestanding Fridge Freezer	Fridge - 378 Freezer - 239	Fridge - 1 Full Width, 1Flexi shelf, Glass full width with front and rear trim and 1 Bottle Shelf Freezer - 1 Maxi Drawer with divider + 1 Slide Drawer, 1 drawer, ice dispenser	F	D	Connected TwinTech® NoFrost Ultrafresh+ Drawer Multiswitch	H1780 x W912 x D758
<b>12</b>	RCB732E7MG	60/40 Matt Black Freestanding Multiswitch Fridge Freezer	Fridge - 208 Freezer - 94	Fridge - 2 Full Width shelves, 1 Full width drawer, 1 pull out drawer Freezer - 2 full width drawers, 1 half depth drawer	E	D	TwinTech® NoFrost Extra Chill Drawer	H1850 x W595 x D630

# WINE CABINETS






AEG





Built-In Compact		Undercounter 30cm		Undercounter 60cm			
	<b>1</b>	<b>2</b>	<b>3</b>	<b>4</b>	<b>5</b>	<b>6</b>	<b>7</b>
							
	KWK884520T	KWK884520M	AWUS020B5B	AWUS018B7B	AWUS052B5B	AWUS040B8B	AWUD040B8B

## Specifications

Model	Type	Capacity	Shelves	Energy Rating	Noise Rating	Appliance Dimension (mm)
<b>1</b> KWK884520T	45cm Matt Black Compact Wine Cooler	18 Bottles	2	F	C	H450 x W560 x D550
<b>2</b> KWK884520M	45cm Compact Wine Cooler	18 Bottles	2	F	C	H450 x W560 x D550
<b>3</b> AWUS020B5B	30cm Under Counter Wine Cooler	18 Bottles	6	G	D	H822 x W300 x D550
<b>4</b> AWUS018B7B	30cm Under Counter Wine Cooler	16 Bottles	6	F	C	H818 x W295 x D573
<b>5</b> AWUS052B5B	60cm Under Counter Wine Cooler	46 Bottles	6	G	D	H822 x W600 x D550
<b>6</b> AWUS040B8B	60cm Under Counter Wine Cooler	40 Bottles	6	F	C	H818 x W595 x D577
<b>7</b> AWUD040B8B	60cm Under Counter Wine Cooler	40 Bottles	6	F	C	H818 x W595 x D577







	Integrated Washing Machine	Freestanding Washing Machines			
	8kg	8kg	9kg	10kg	
<b>AEG</b>	<b>1</b>  LF7C8636BI	<b>2</b>  LFR71844B	<b>3</b>  LFR73944B	<b>4</b>  LFR84146UC	<b>5</b>  LFR95146WS

Freestanding Tumble Dryers				
	8kg		9kg	9kg with Absolute Care
<b>AEG</b>	<b>6</b>  TR718L4B	<b>7</b>  TR838P4B	<b>8</b>  TR849P4B	<b>9</b>  TR959M6BC

Specifications

	Model	Type	Programmes	Drum Size	Speed (rpm)	Technology	Water Consumption (L)	Energy Rating	Noise Rating	Appliance Dimension (mm)
<b>1</b>	LF7C8636BI	7000 Series Freestanding Washing Machine	14	8kg	1600	ProSteam®	45	B	A	H819 x W596 x D553
<b>2</b>	LFR71844B	7000 Series Freestanding Washing Machine	10	8kg	1400	ProSteam®	42	A	B	H847 x W596 x D602
<b>3</b>	LFR73944B	7000 Series Freestanding Washing Machine	12	9kg	1400	ProSteam®	46	A	B	H847 x W597 x D660
<b>4</b>	LFR84146UC	8000 Series Freestanding Washing Machine	12	10kg	1400	PowerCare	47	A	A	H847 x W597 x D660
<b>5</b>	LFR95146WS	9000 Series Freestanding Washing Machine	12	10kg	1400	AbsoluteCare	47	A	A	H847 x W597 x D660
<b>6</b>	TR718L4B	7000 Series Freestanding Tumble Dryer	10	8kg	N/A	ProSense®	N/A	A++	N/A	H850 x W596 x D663
<b>7</b>	TR838P4B	8000 Series Freestanding Tumble Dryer	12	8kg	N/A	AbsoluteCare®	N/A	A++	N/A	H850 x W596 x D663
<b>8</b>	TR849P4B	8000 Series Freestanding Tumble Dryer	12	9kg	N/A	AbsoluteCare®	N/A	A++	N/A	H850 x W596 x D663
<b>9</b>	TR959M6BC	9000 Series Freestanding Tumble Dryer	12	9kg	N/A	AbsoluteCare® Plus	N/A	A+++	N/A	H850 x W596 x D663

# LAUNDRY

	Integrated Washer Dryer	Freestanding Washer Dryers		
	8/4kg	7/5kg	9/6kg	10/6kg
<b>AEG</b>	1  L7WC8632BI	2  LWR7175M2B	3  LWR7496O4B	4  LWR8516O5UD

## Specifications

	Model	Type	Progs	Drum Size (Wash / Dry)	Speed (rpm)	Technology	Water Consumption (L)	Energy Rating (Wash / Dry)	Noise Rating	Appliance Dimension (mm)
1	L7WC8632BI	7000 Series Integrated Washer Dryer	14	8kg / 4kg	1600	DualSense®	47	D / E	A	H819 x W596 x D553
2	LWR7175M2B	7000 Series Freestanding Washer Dryer	10	7kg / 5kg	1400	ProSteam	41	A / D	A	H847 x W597 x D599
3	LWR7496O4B	7000 Series Freestanding Washer Dryer	12	9kg / 6kg	1400	ProSteam	46	A / D	B	H847 x W597 x D660
4	LWR8516O5UD	Connected 8000 Series Freestanding Washer Dryer	12	10kg / 6kg	1400	PowerCare	47	A / D	B	H847 x W597 x D660

## SMALL APPLIANCES & ACCESSORIES RANGE

Welcome to the Small Appliances and Accessories range. Each product has been specially designed to harness the power of AEG technology, bringing out the best in any ingredient to create great tasting dishes.

Turn good cooking into great cuisine with our gourmet cookware, accessories and parts.

AEG Plancha Grill	A9HL33
Pizza Stone	A9OZPS1
Pan set	A3SS
Champagne Frying Pan set	A9ALFPS1
Fusion Wok	FUSION-WOK
Telescopic Runners	TR1LFV
Easy2Clean Tray	A9O0AF11
Microplastic Filter	A9WHMIC1
Stacking kit	SKP11GW3



## INSTALLATION DIAGRAMS

AEG has always been committed to supporting its retail partners and professional installers by providing them with best in class installation solutions. AEG kitchens are simple to install and use only one Torx T20 screwdriver to install all of our appliances, allowing installers to save time. In 2018, AEG launched a first of its kind Installer App, giving professional installers access to installation information at their fingertips.

### IN THIS SECTION

#### Refrigeration

Integrated Fridge Freezers  
Integrated Fridges and Freezers  
Freestanding Fridge Freezers  
Wine Cooling

#### Cooking

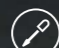
Single Ovens  
Double Ovens  
Compact Ovens  
Bean to Cup Coffee Machine  
Warming Drawers  
Vac Sealers  
Microwave Ovens  
Hobs  
Hoods


#### Dishwashers


Fully Integrated  
Slimline Fully Integrated

#### Laundry

Built-in Washing Machine  
Built-in Washer Dryer

 Only **one** Torx T20 screwdriver to install **all** appliances

 Not having to change tools **saves time**

 Electrolux is the first manufacturer to design an **installation app\*** specifically for professional installers



**ONE TORX T20  
SCREWDRIVER  
TO INSTALL ALL  
APPLIANCES**

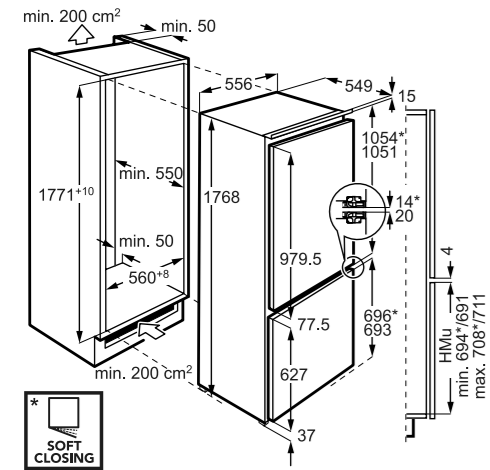


\*The app is available for download on Apple and Android mobile phones.

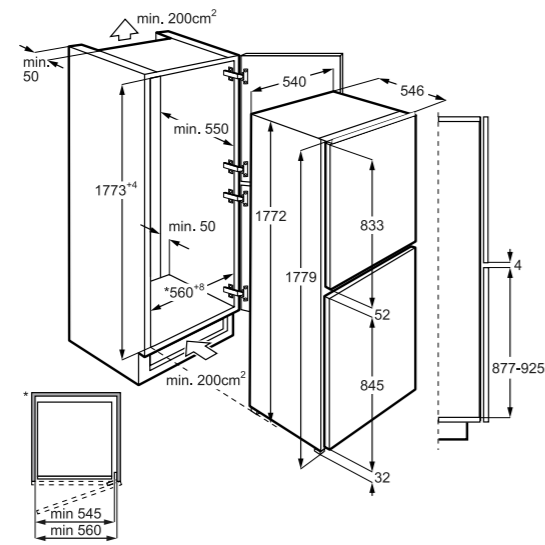
# INSTALLATION DIAGRAMS – REFRIGERATION

## INTEGRATED FRIDGE FREEZERS

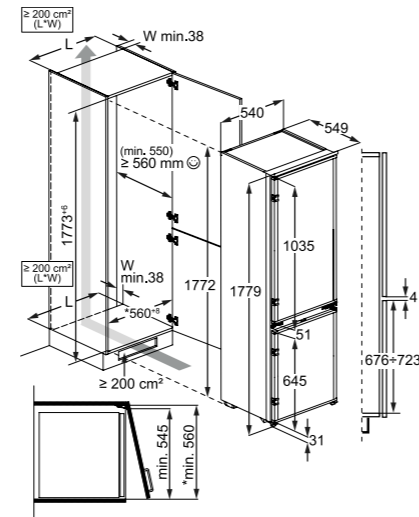
**SCE818C5TC**



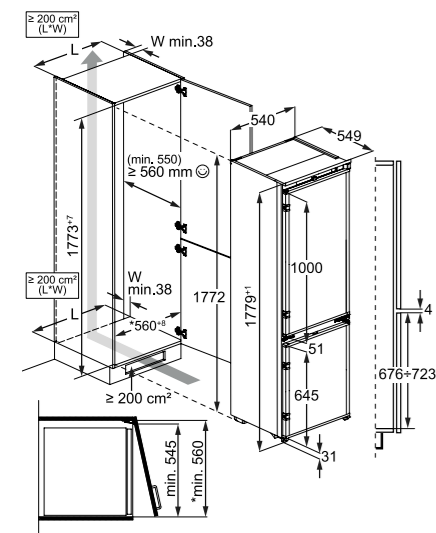
**SCE818E6NS, SCE818F6NS, SCB718F3LS**



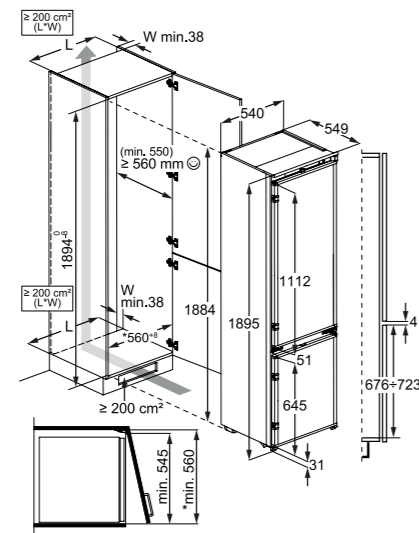
**OSC5S181ES**



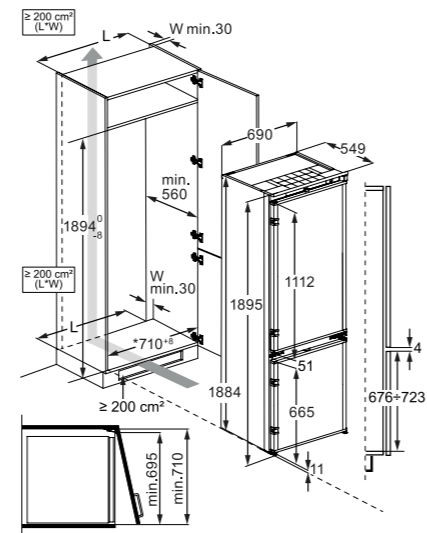
**NSC7G181DS, OSC6N181ES**



**NSC8M191DS, SCE819E5TS**

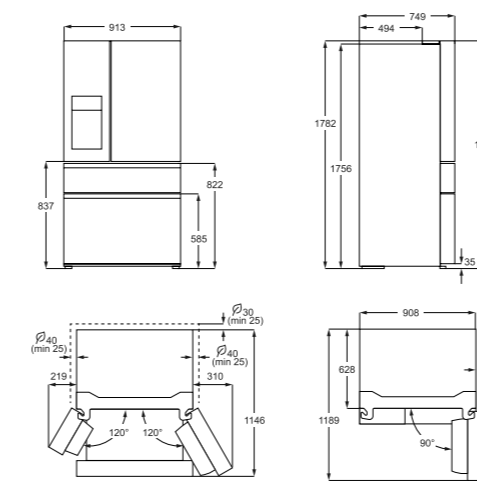


**NSC7G751ES**



## FREESTANDING FRIDGE FREEZERS

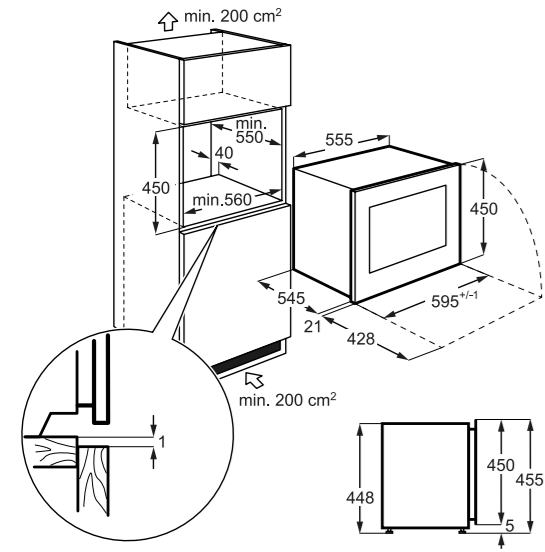
**RMB954F9VX**



# INSTALLATION DIAGRAMS – REFRIGERATION

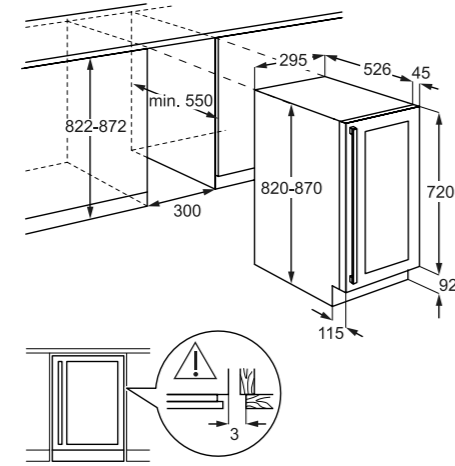
## COMPACT WINE COOLER

**KWK884520M, KWK884520T**

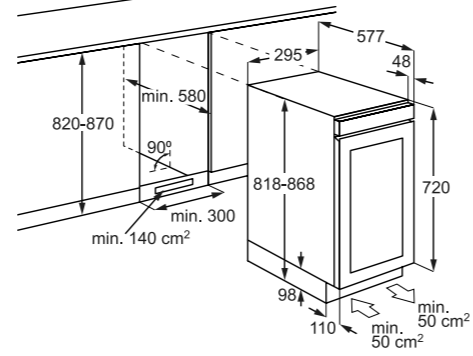


## WINE COOLING

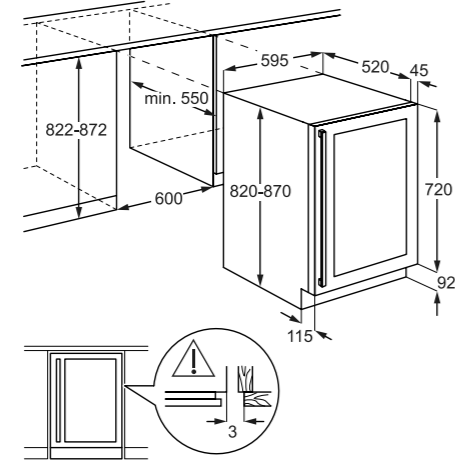
**AWUS020B5B**



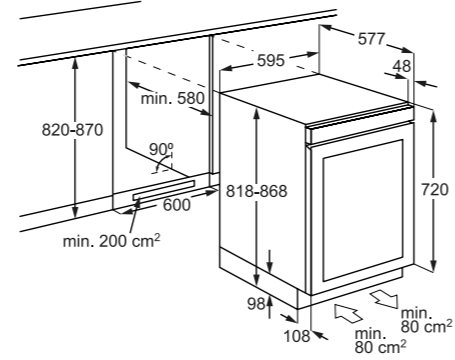
**AWUS018B7B**



**AWUS052B5B**



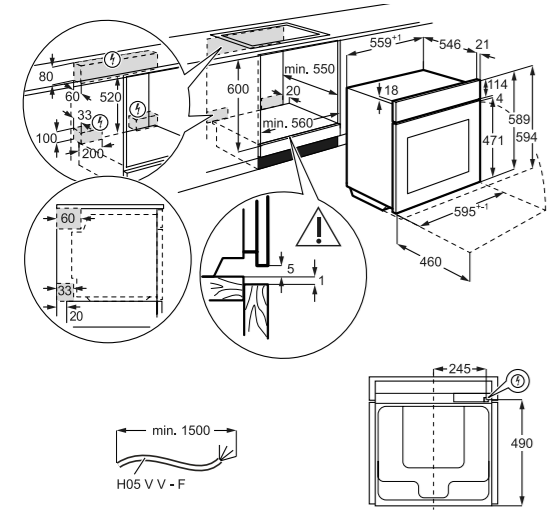
**AWUS040B8B, AWUD040B8B**



# INSTALLATION DIAGRAMS – COOKING

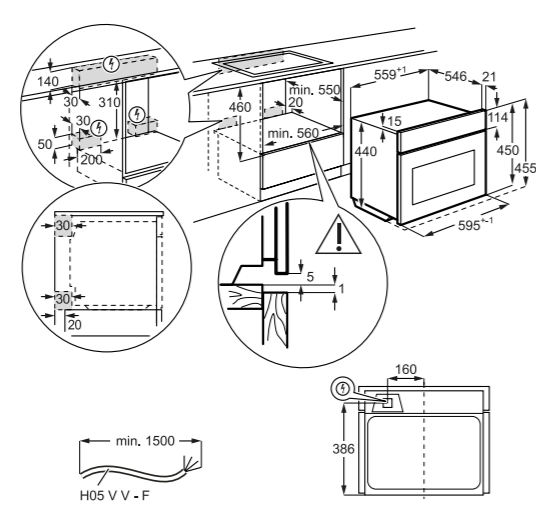
## SINGLE OVENS

ALL MODELS EXCLUDING BPK742L81M, BPK742R81M



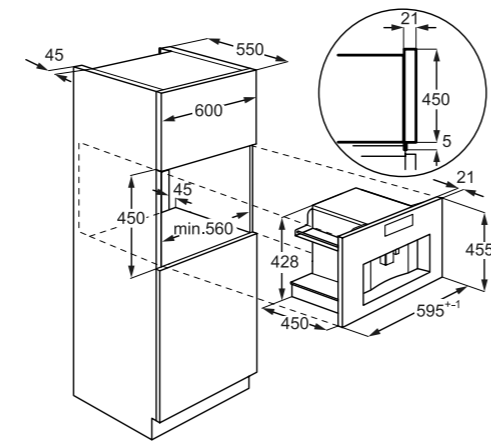
## COMPACT OVENS

ALL MODELS EXCLUDING COFFEE MACHINE



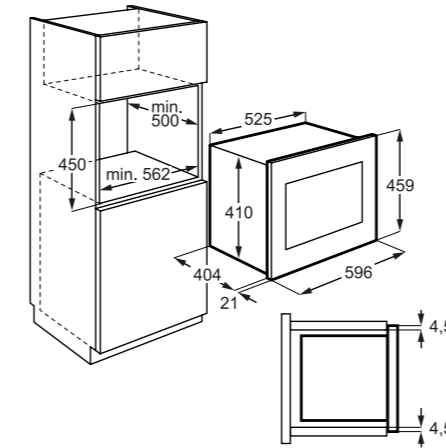
## BEAN TO CUP COFFEE MACHINES

ALL MODELS



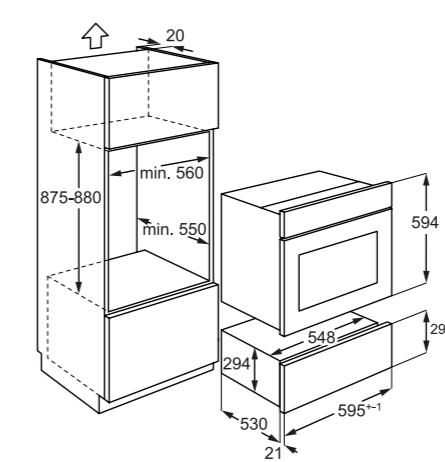
## MICROWAVE OVENS

MBE2658SEM



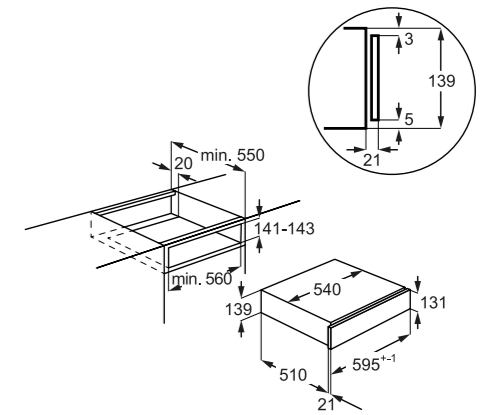
## WARMING DRAWERS

KDK912924M, KDE912924M

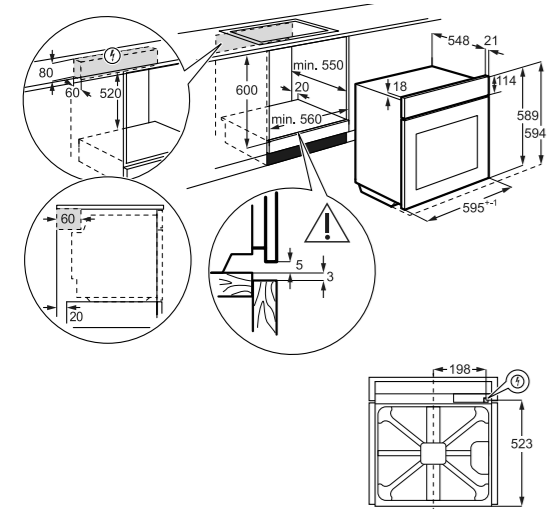


## VAC SEALERS

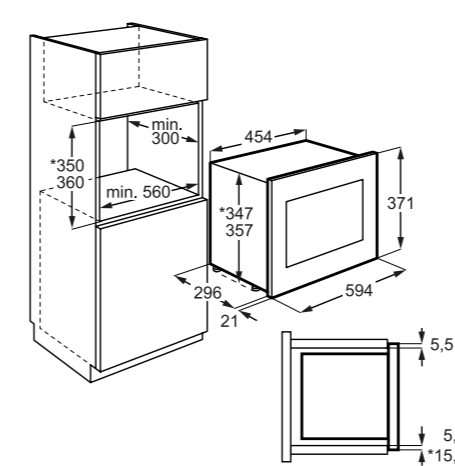
KDK911423M, KDK911424T, KDE911423B



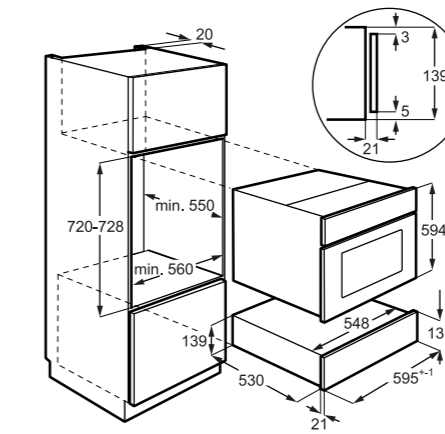
BPK742L81M, BPK742R81M



MBB1756SEM, MBB1755SEM



KDK911424M, KDK911424T, KDE911424M, KDE911424B

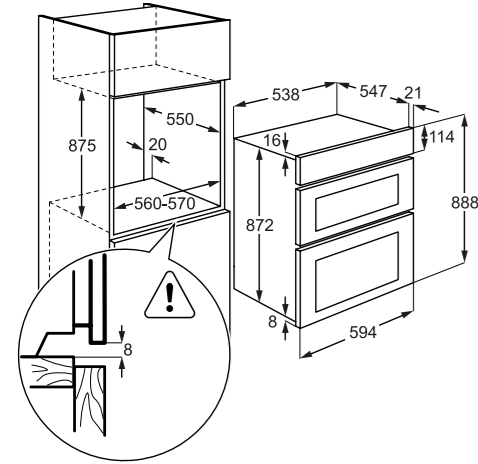


\*For perfect horizontal alignment please check the individual product dimensions.

# INSTALLATION DIAGRAMS – COOKING

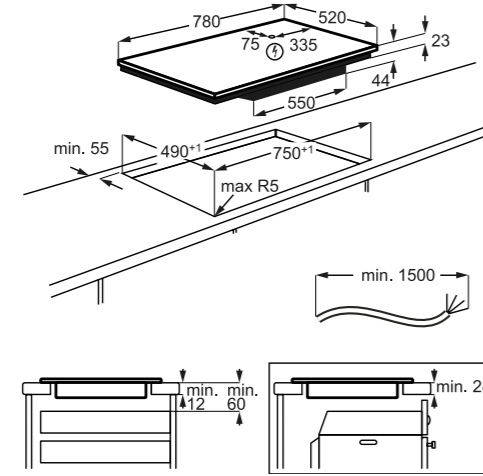
## DOUBLE OVENS

**DCK73110M, DCK531160M**  
BUILT-IN

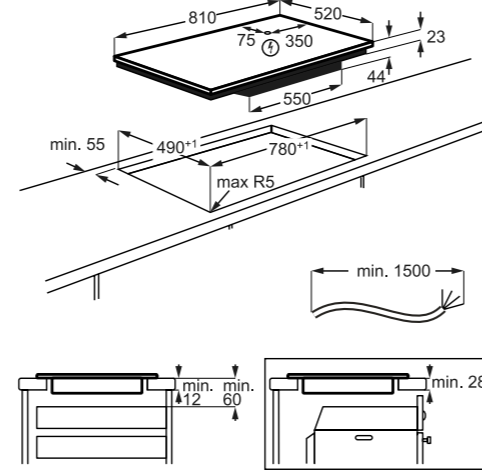


## INDUCTION HOBS

**IAE84881FB, IPE84531FB, IAE84411FB, IKB84401FB, IAE84421FB**

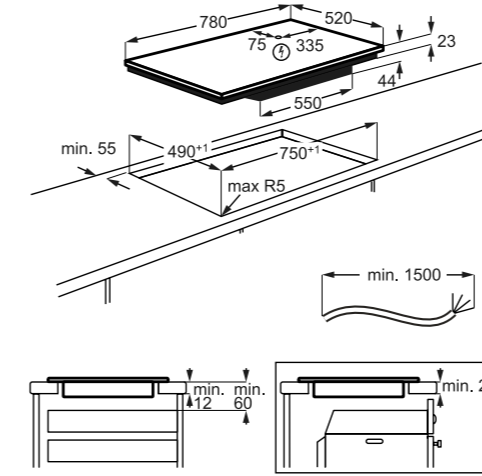


**IKE85651FB**

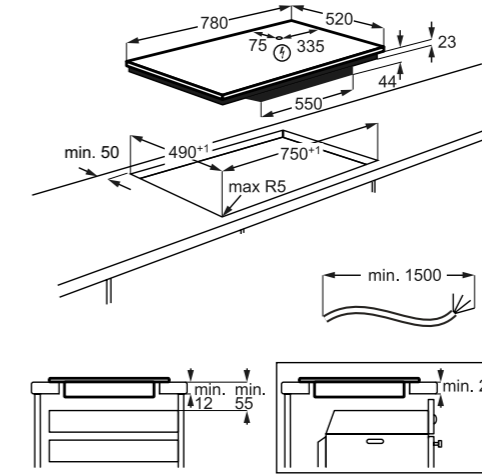


## INDUCTION HOBS

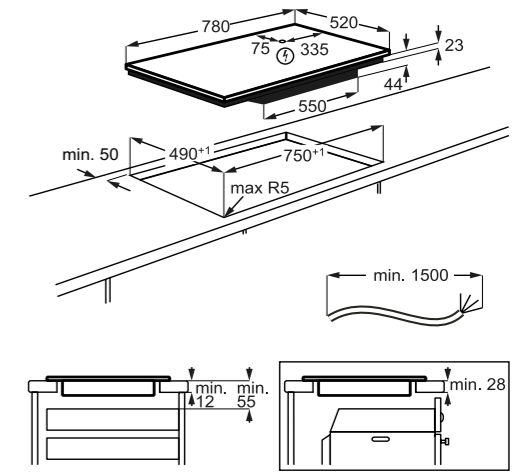
**IAE84851FB**



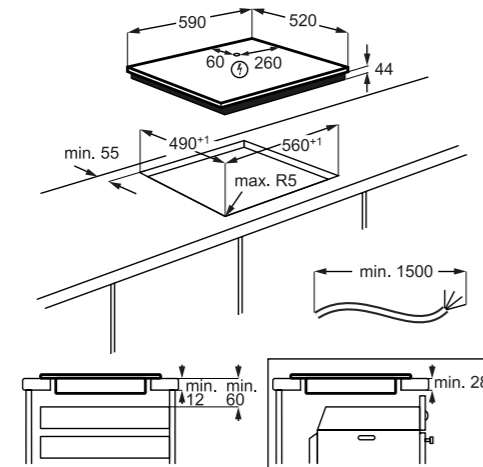
**IKE95751FB**



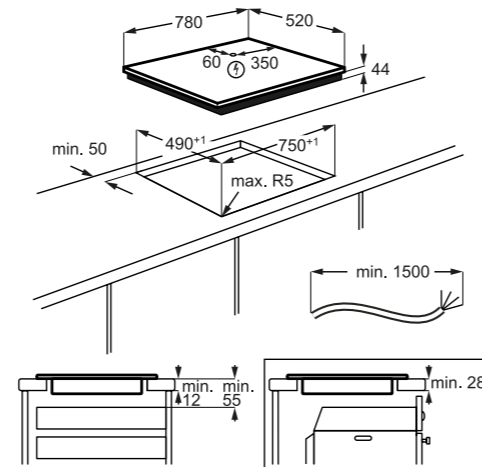
**IKE85751FB**



**IPE64551FB, IKE64450FB, IAE64421FB, IAE64411FB, IKB64401FB, ILB64334CB**

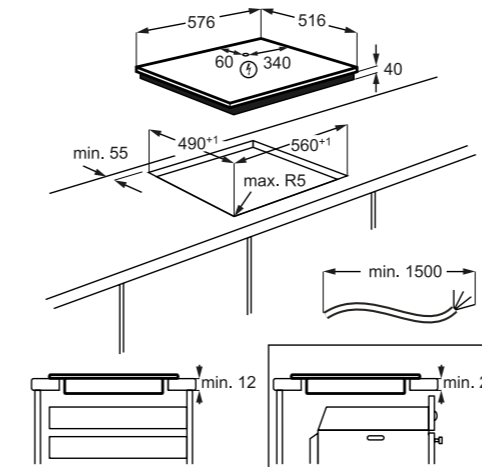


**IKK86681FB**



## CERAMIC HOB

**HK634060XB**

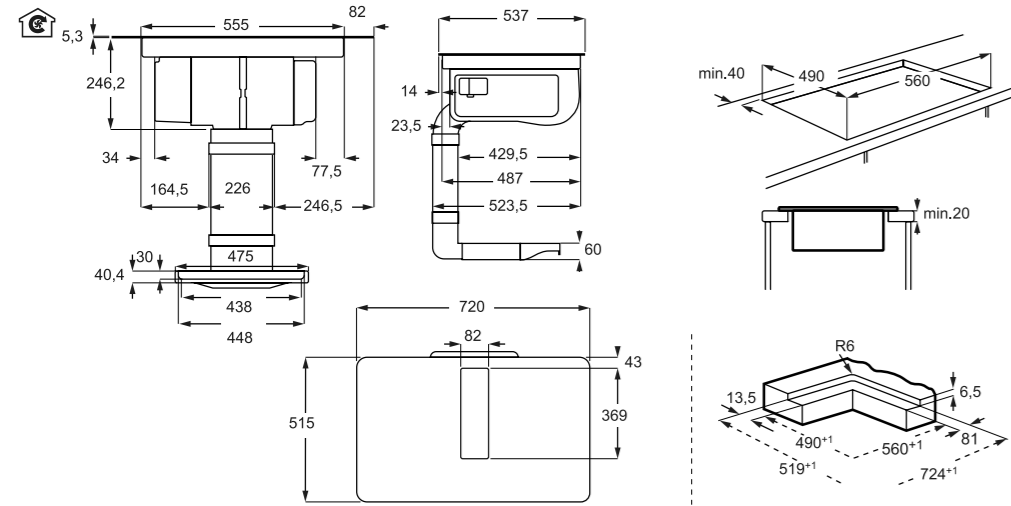




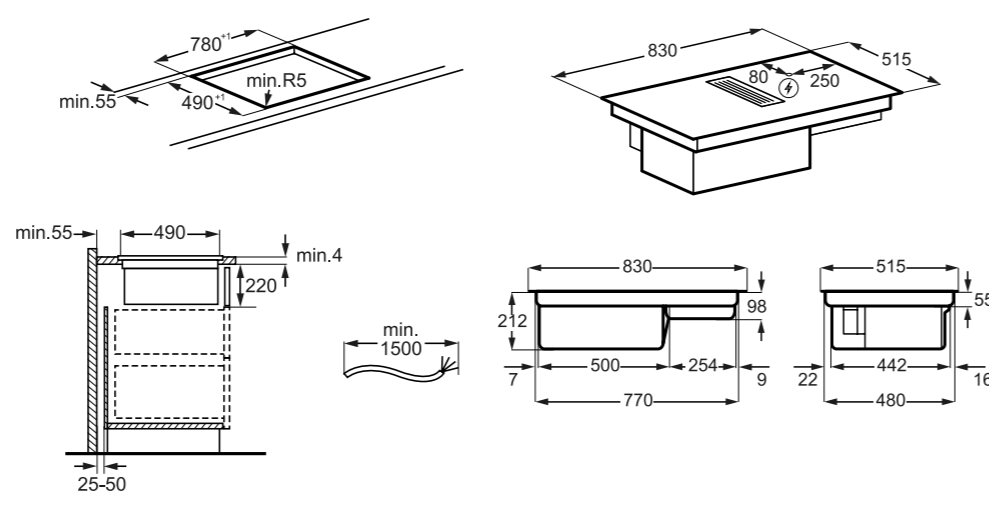
# INSTALLATION DIAGRAMS – COOKING

## EXTRACTOR HOBS

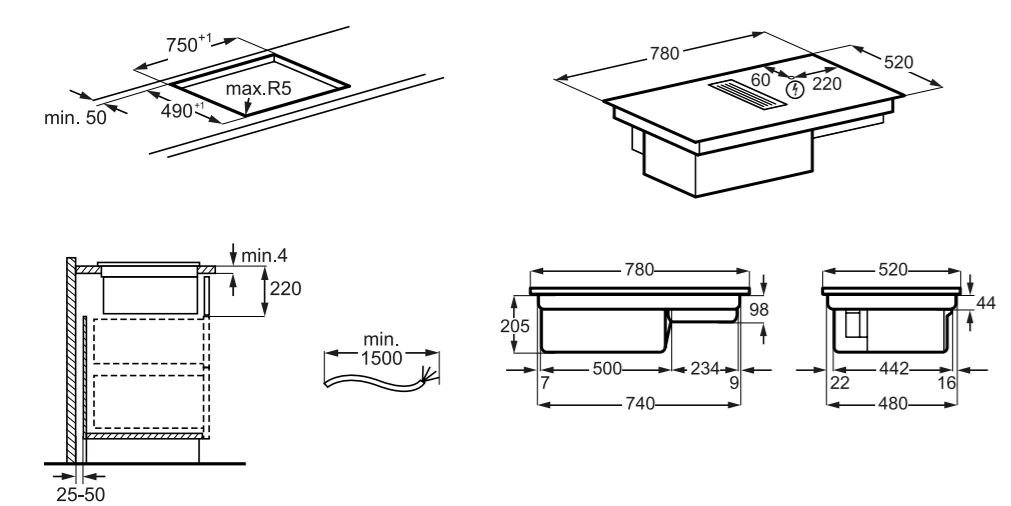
**IDE74243IB**



**CCE84779FB, CCE84751FB, CDE84779FB, CDE84751FB**

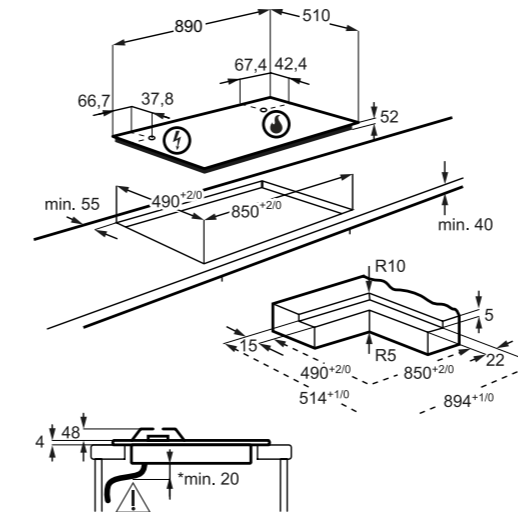


**CCE84543FB, CDE84543FB**

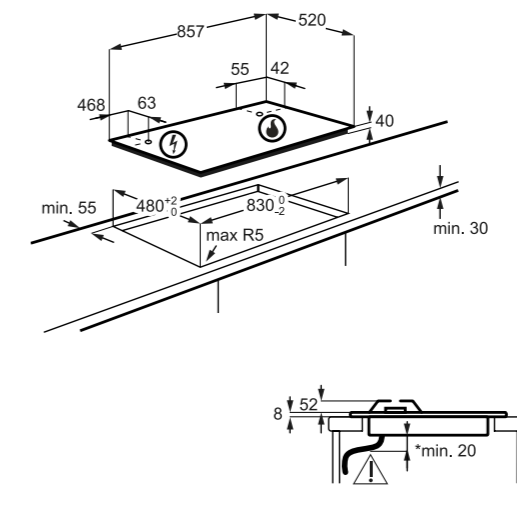


## GAS HOBS

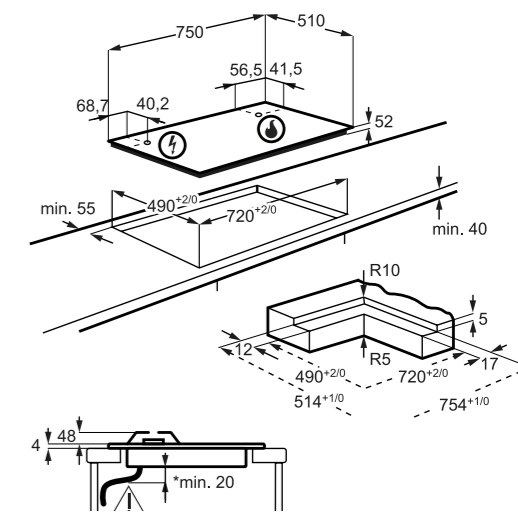
**HVB95450IB**



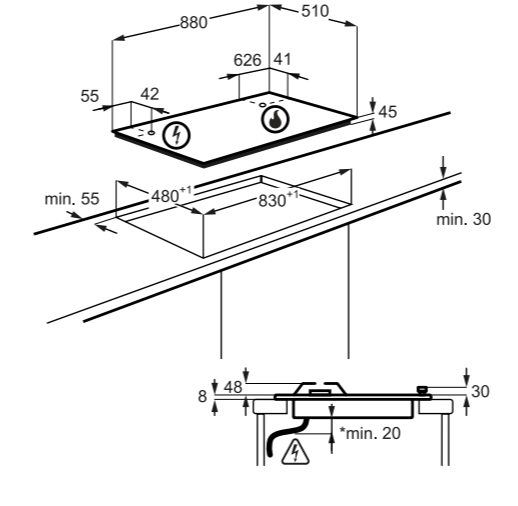
**HGB95522YM**



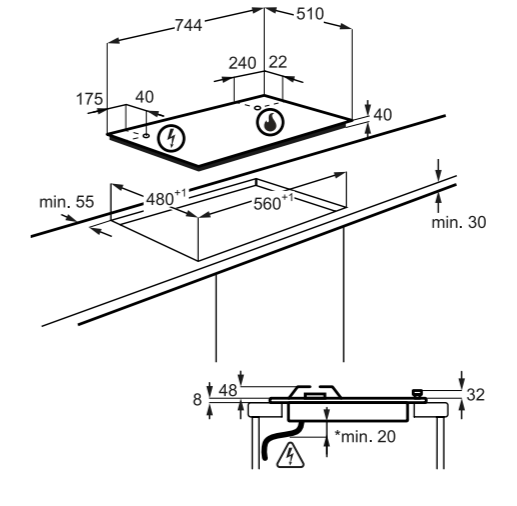
**HVB75450IB**



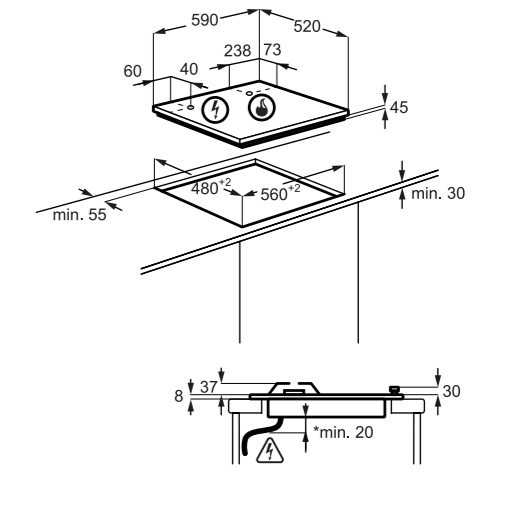
**HKB95450NB**



**HGB75420YM**



**HKB64450NB**

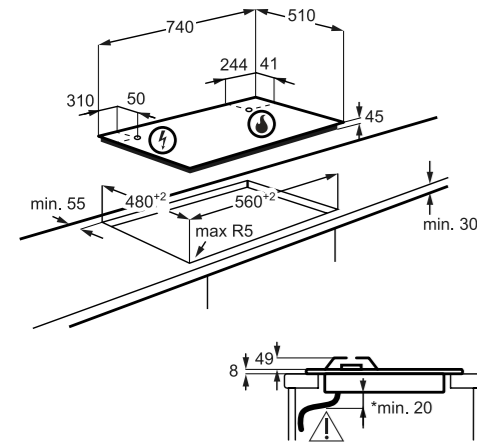


**For all installation requirements on extractor hobs, please refer to dedicated product & installation guide**

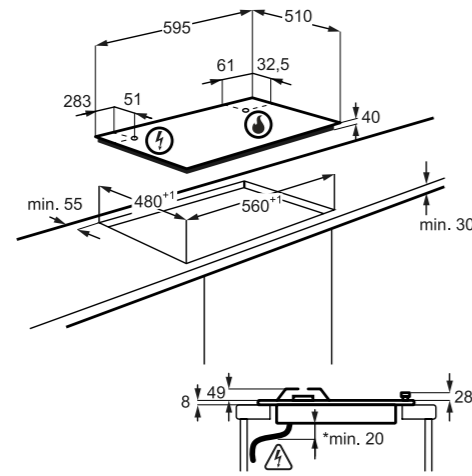
# INSTALLATION DIAGRAMS – COOKING

## GAS HOBS

**HKB75450NB**

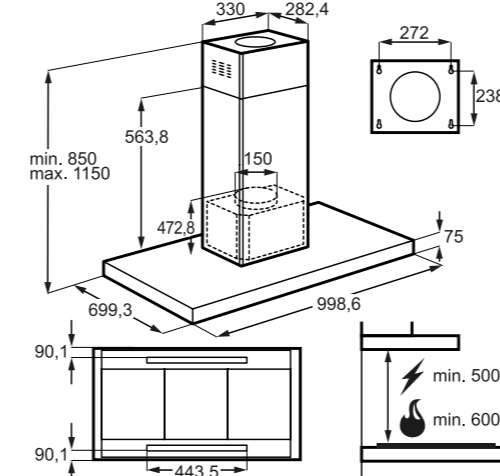


**HGB64420YM**

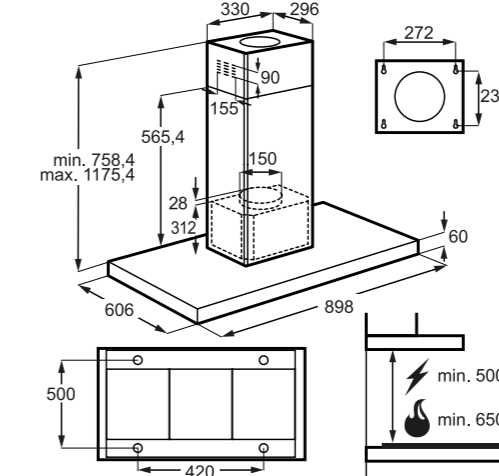


## HOODS

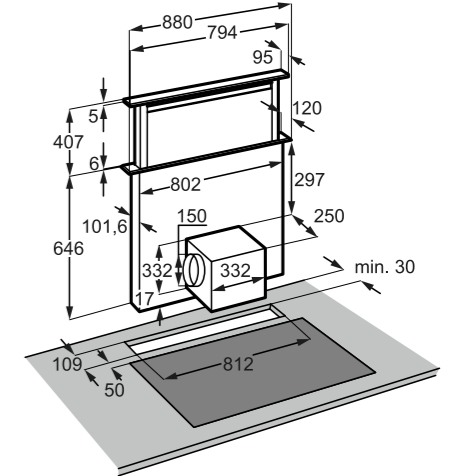
**DIK6180HG**



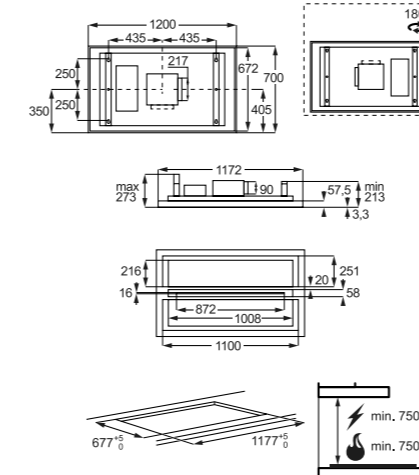
**DIE5961HG**



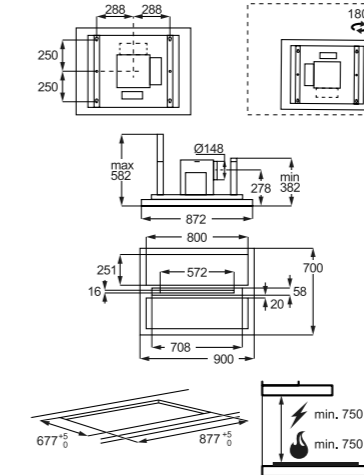
**DDE5980G**



**DCK5281HG**



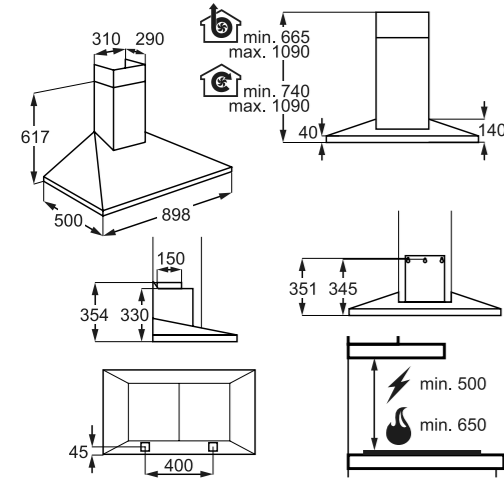
**DCE5960HM**



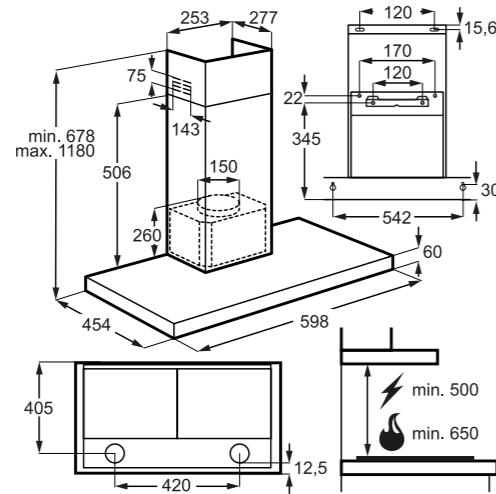
# INSTALLATION DIAGRAMS – COOKING

## HOODS

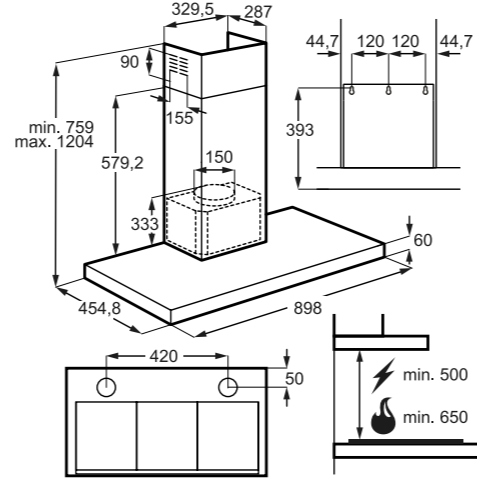
**DKB4950M, DKB4650M**



**DBE5681HR**

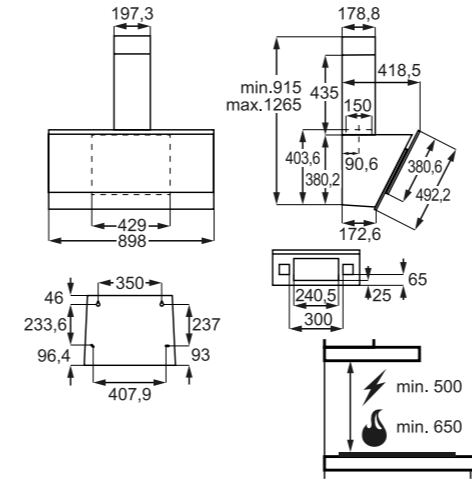


**DBE5961HG, DBE5661HG**

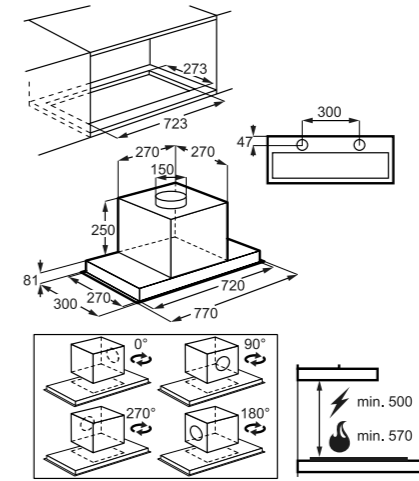


## HOODS

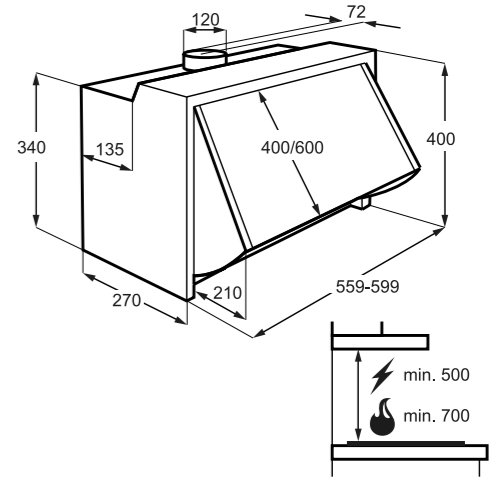
**DVE5971HG**



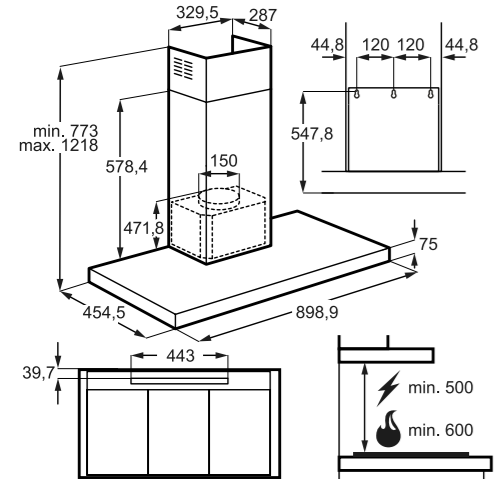
**DGE5861HM, DGE5861HB**



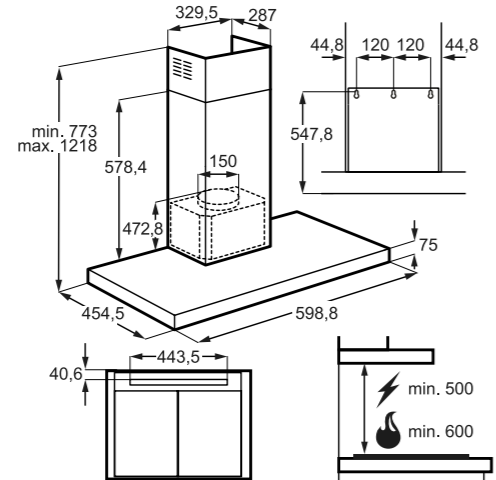
**DEB2631S**



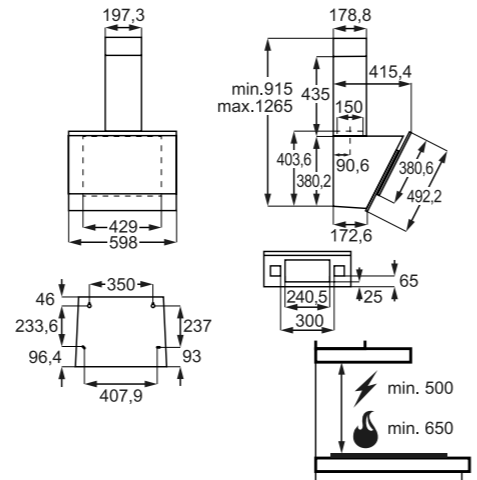
**DBK6980HG**



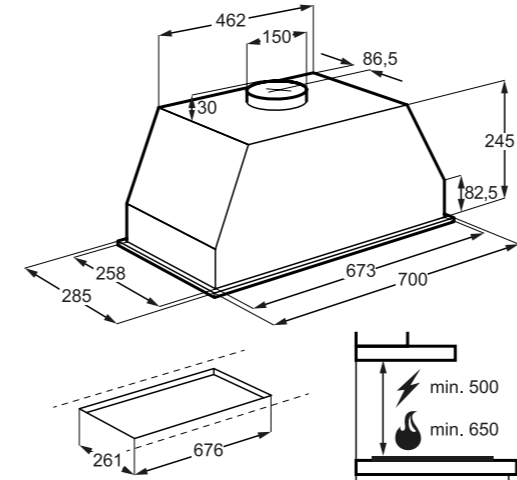
**DBK6680HG**



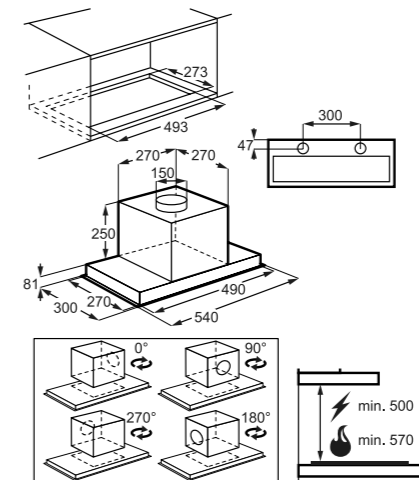
**DVE5671HG**



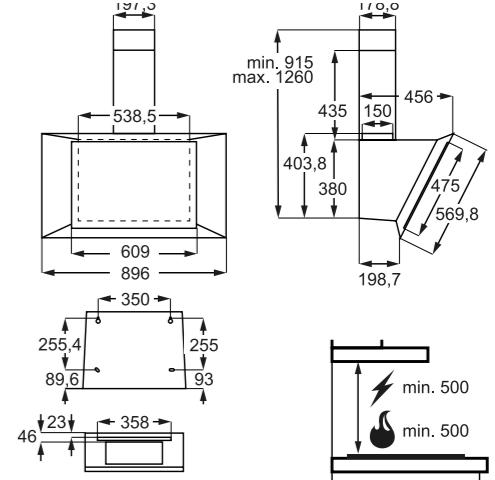
**DGB3850M**



**DGE5661HM, DGE5661HB**



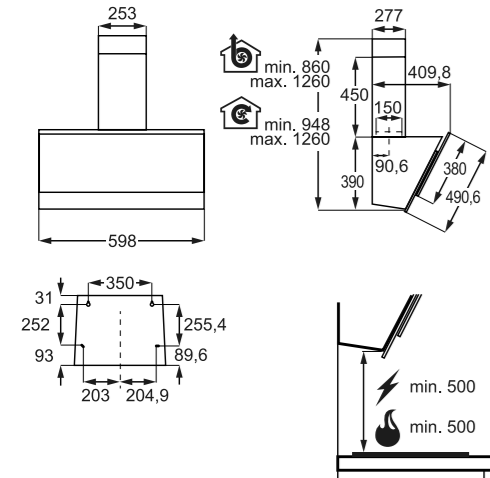
**DVK6981HB**



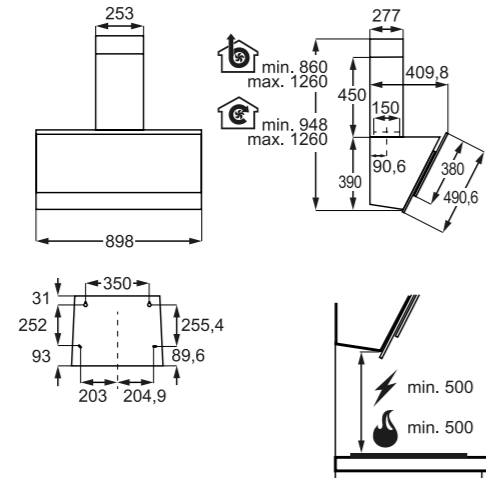
# INSTALLATION DIAGRAMS – COOKING / DISHWASHERS

## HOODS

### DVE5671HR

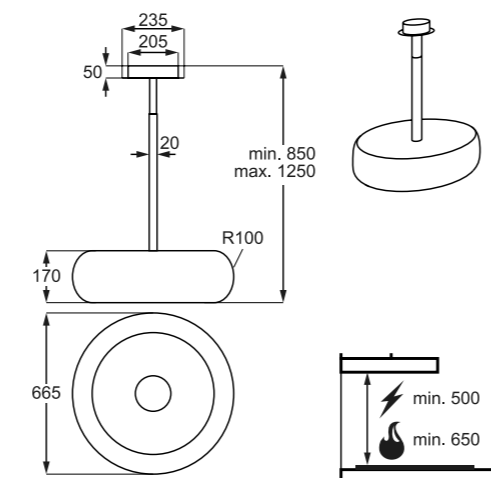


### DVE5971HR



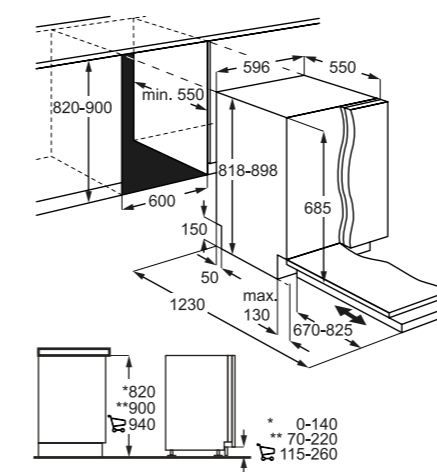
## ISLAND HOOD

### DLE0630B/W

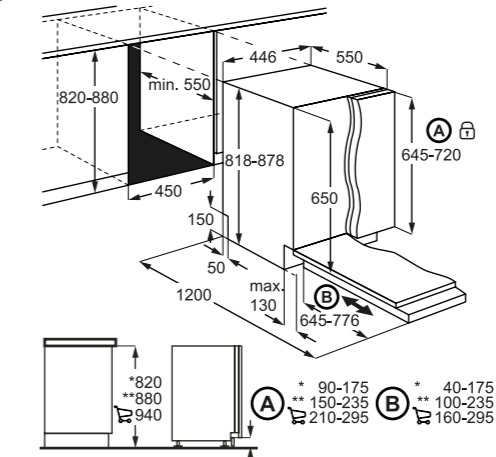


## DISHWASHERS

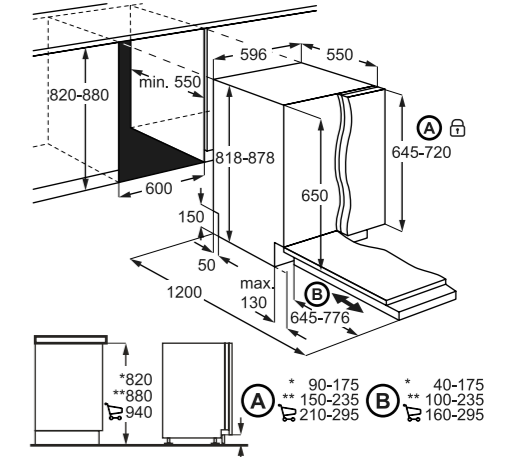
### FSS63607P, FSK76738P, FSK83828P, FSK93848P (FSK94858P, FSE84607P Available in Autumn 2023) FULLY INTEGRATED



### FSE62407P, FSE72507P SLIMLINE INTEGRATED



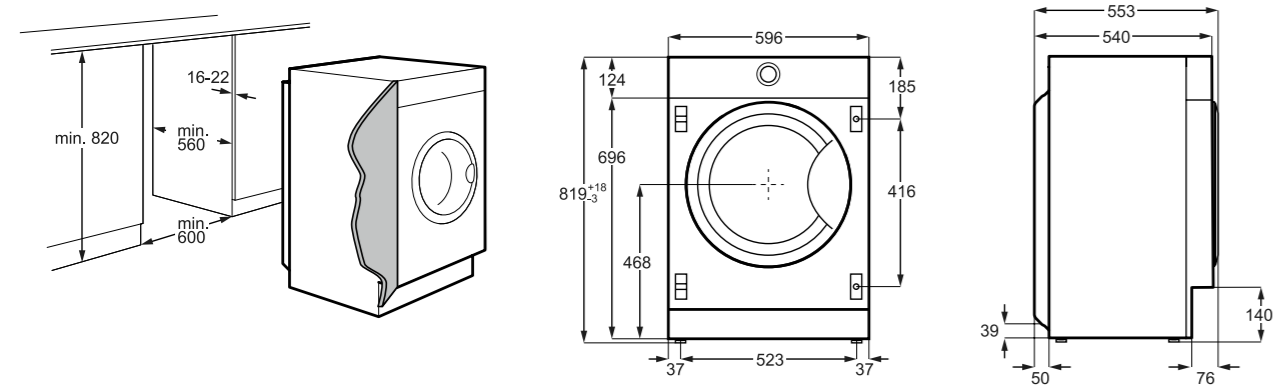
### FSK52917Z, FSK52617Z, FSB42607Z FULLY INTEGRATED



# INSTALLATION DIAGRAMS – LAUNDRY

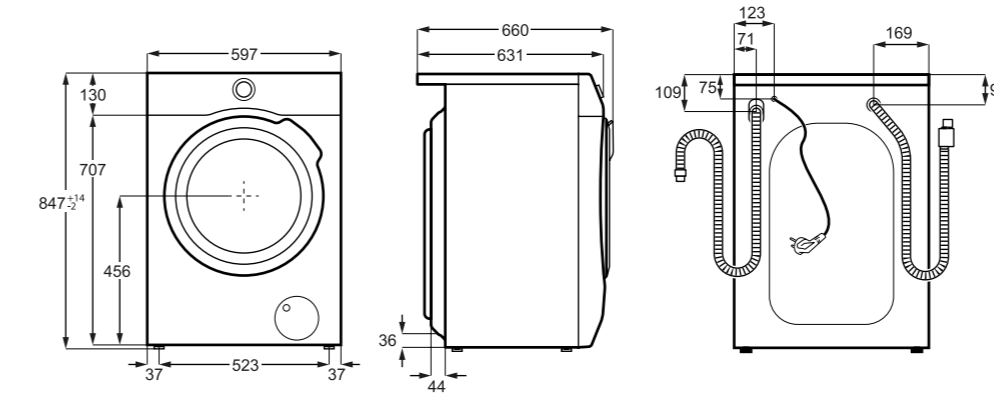
## LAUNDRY

**L7WC8632BI, LF7C8636BI**  
FULLY INTEGRATED

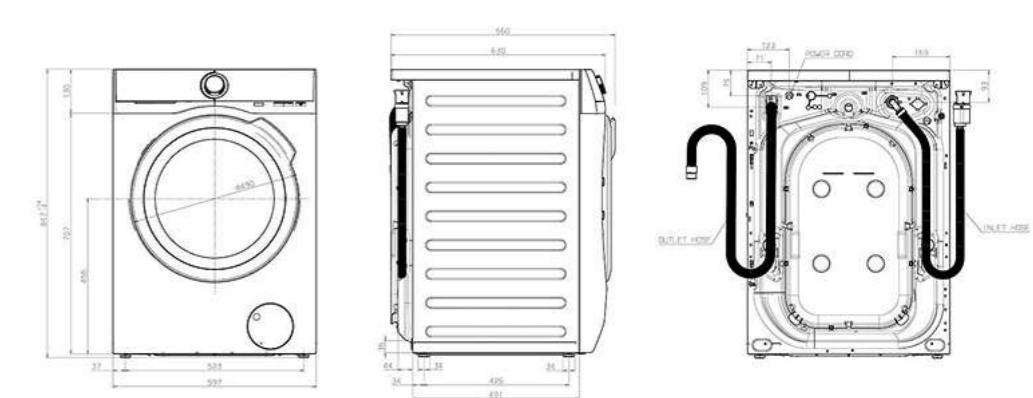


## FREESTANDING WASHER DRYERS

**LWR7496O4B**

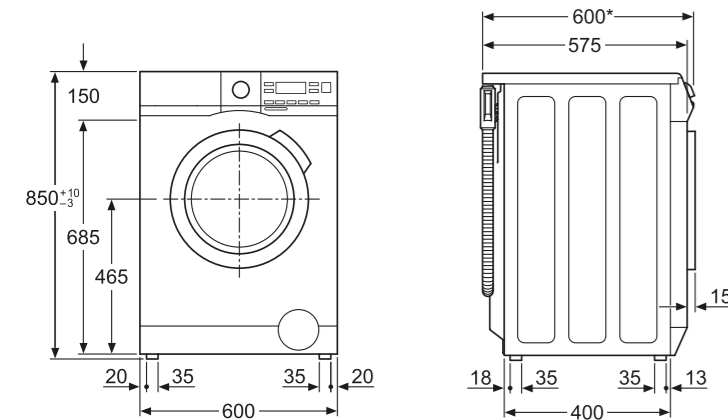


**LWR7175M2B, LWR8516O5UD**

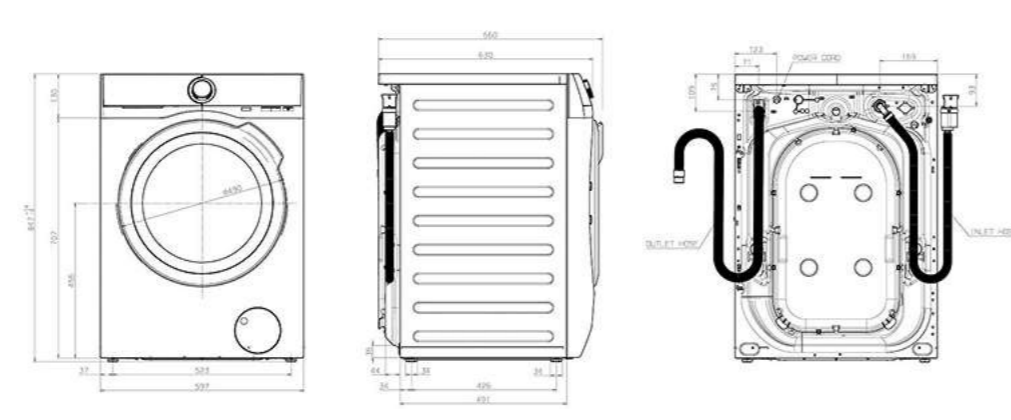


## FREESTANDING WASHING MACHINES

**LFR71844B**

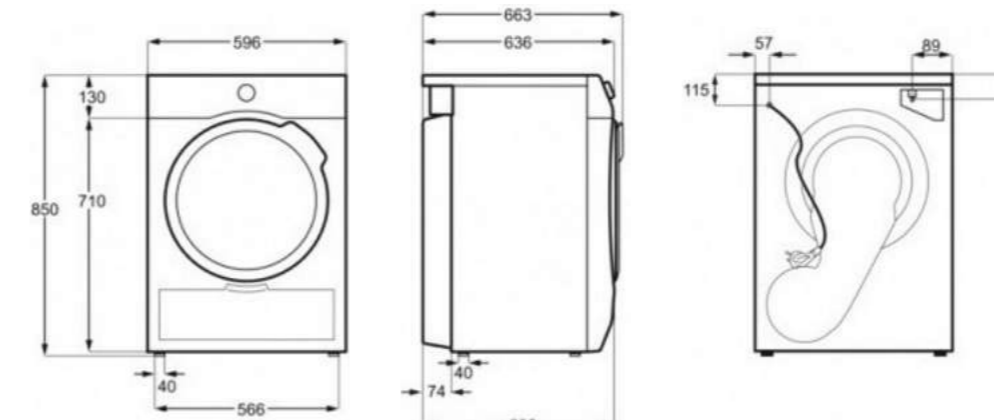


**LFR73944B, LFR95146WS, LFR84146UC**



## FREESTANDING TUMBLE DRYERS

**TR718L4B, TR838P4B, TR718L4B, TR849P4B, TR959M6BC**





# INSTALLER APP

## QUICK & EASY INSTALLATION

### EASY

Only **ONE** Torx T20 screwdriver to install ALL appliances.

### QUICK

Not having to change tools saves time.

### FIRST TO MARKET

The first manufacturer to design an installation app specifically for professional installers.

### SCAN

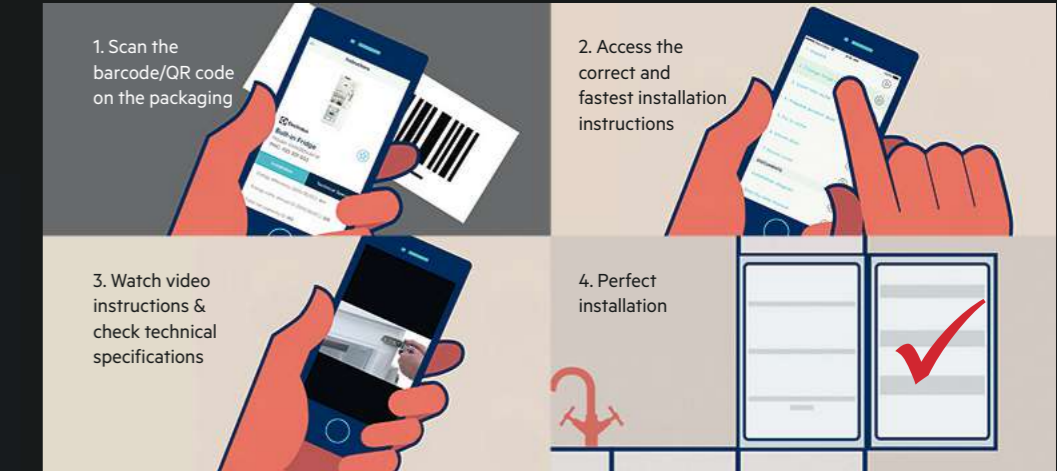
Scan or search the product to access all the technical specifications and installation videos.

SCAN HERE FOR APP STORE

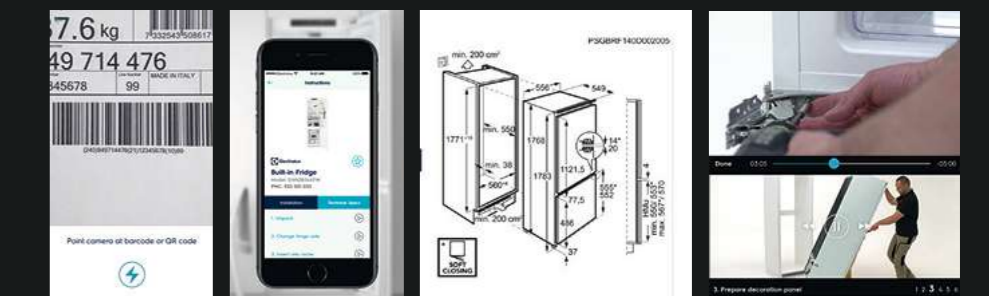


# INTUITIVE INSTALLER APP MADE BY PROFESSIONALS FOR PROFESSIONALS

Discover the correct and fastest way of installing AEG, Electrolux and Zanussi appliances. An app exclusively for professional appliance installers.



### Actual Screen shots



# AEG

Premier Partner

AEG has been creating pioneering appliances for the home for over 130 years. While others are catching up, we're moving further on, always an idea ahead. So if you want to know about true state-of-the-art technology, take a look inside.

To find out more visit [aeg.co.uk](https://aeg.co.uk)